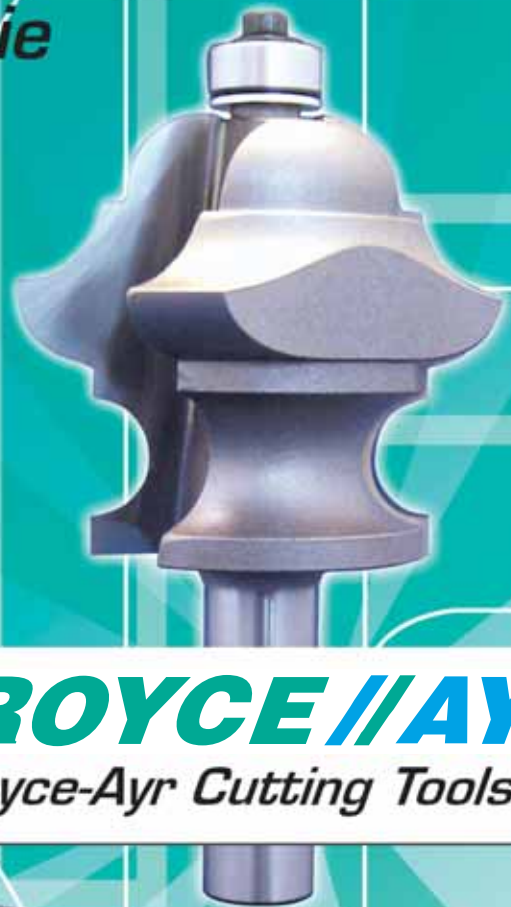


QUALITY PERFORMANCE PRECISION

ROUTER BITS

mèche de toupie



ROYCE//AYR

Royce-Ayr Cutting Tools Inc.

NSF

ISO 9001:2008
registered

SATISFACTION GUARANTEED

Limited Warranty

All items in the Royce//Ayr catalogue, unless otherwise noted, are warranted for 90 days against defects in workmanship and materials. Normal wear and tear or use of a tool for other than the intended purpose is not covered by this warranty. Merchandise may be returned to Royce//Ayr Cutting Tools for repair or replacement at our option. Royce//Ayr liability is limited to repair or replacement of the merchandise. In no event shall Royce//Ayr be liable for any incidental or consequential damages.

Special Items

Special items are those not in the Royce//Ayr catalogue and are special ordered for the customer. These items are covered by our limited warranty. If a special item is defective, it is covered like any other catalogue item.

Custom Items

Custom items are those that are made to our customer's specifications and are not normally carried by Royce//Ayr or the manufacturer. The customer is responsible to make sure his specifications meet his needs. These items cannot be returned unless there is a defect in workmanship or materials.

No Sale is Final

If you have a problem with an order you placed with Royce//Ayr, please call. We want you to be satisfied with our products and service.

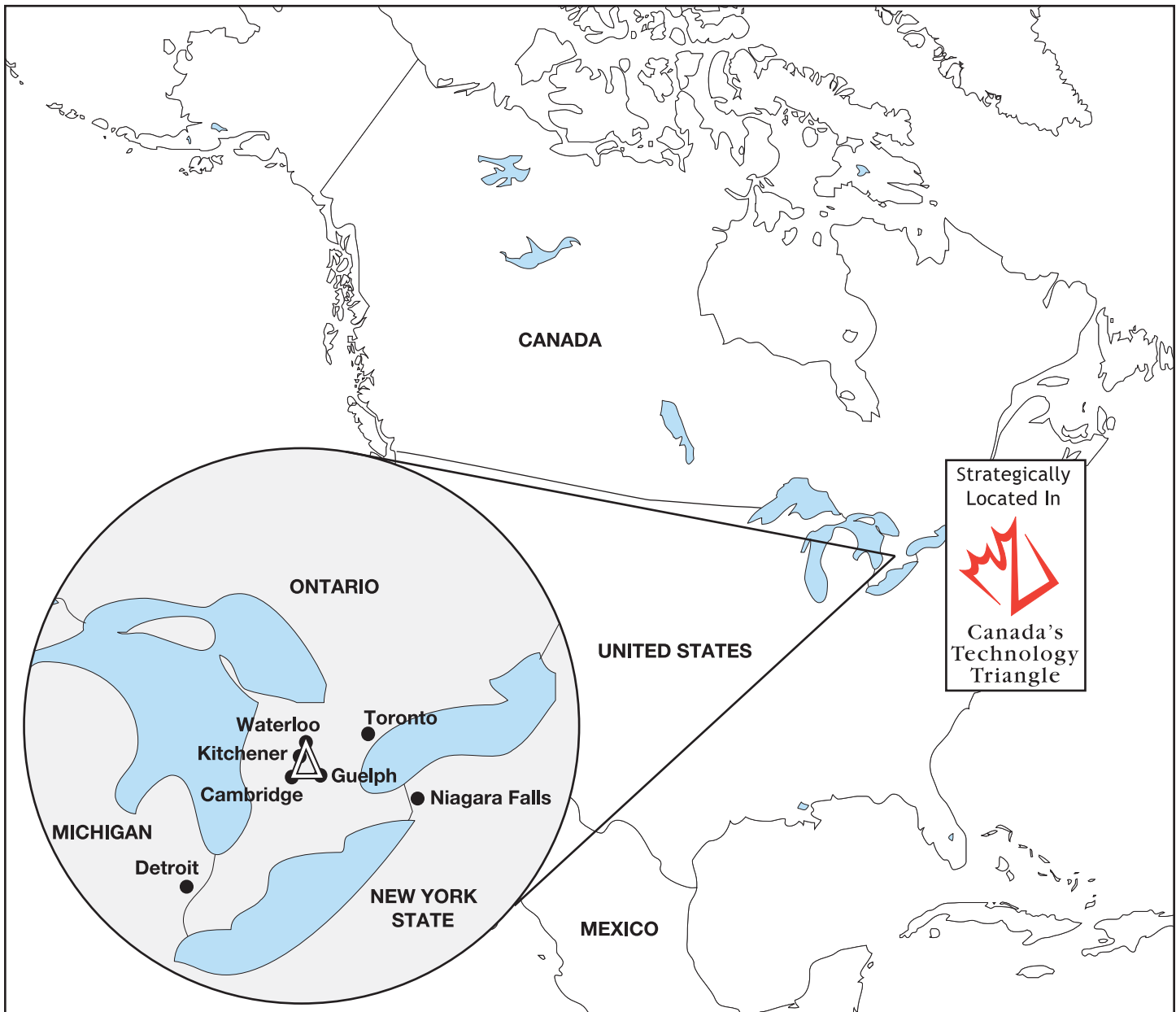
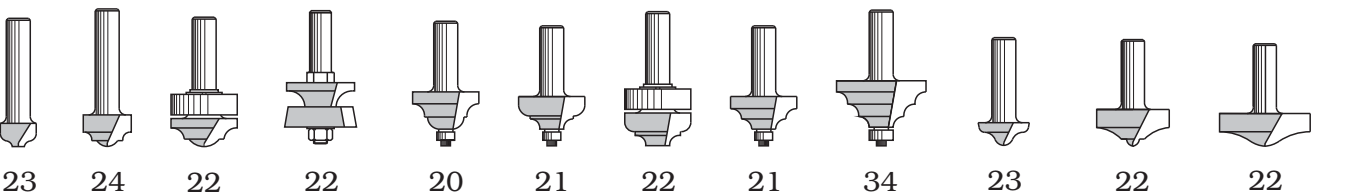
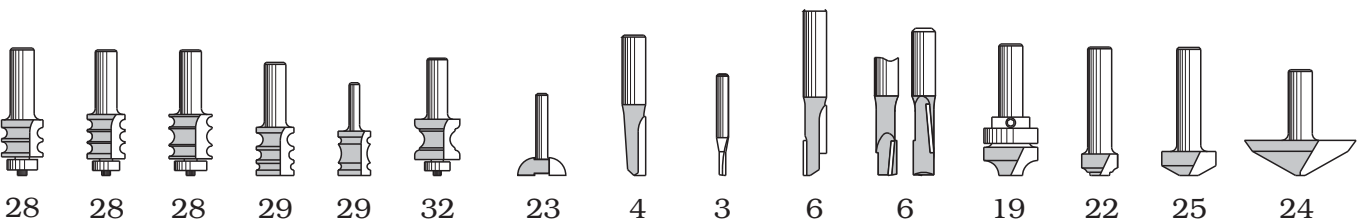
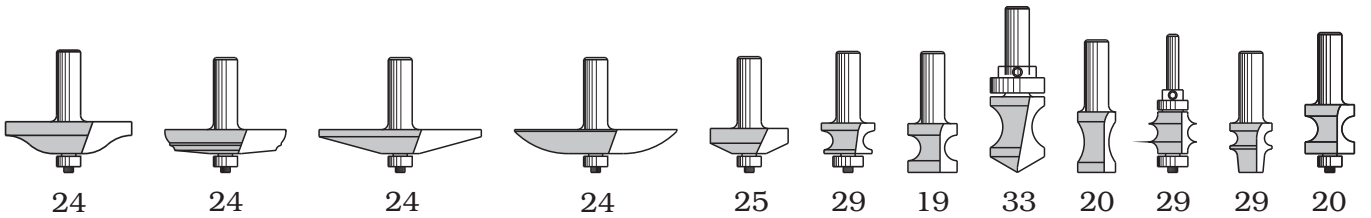
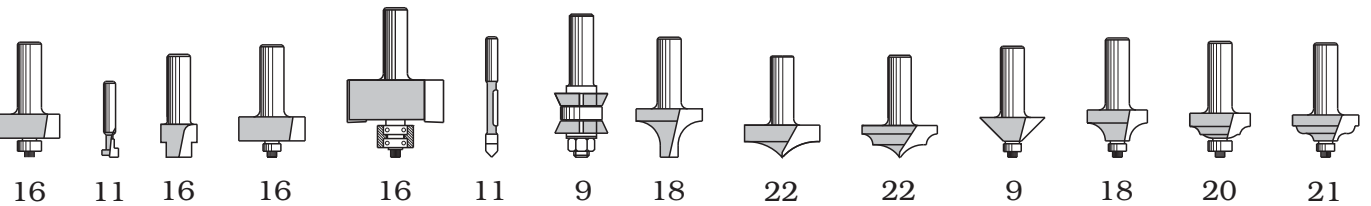
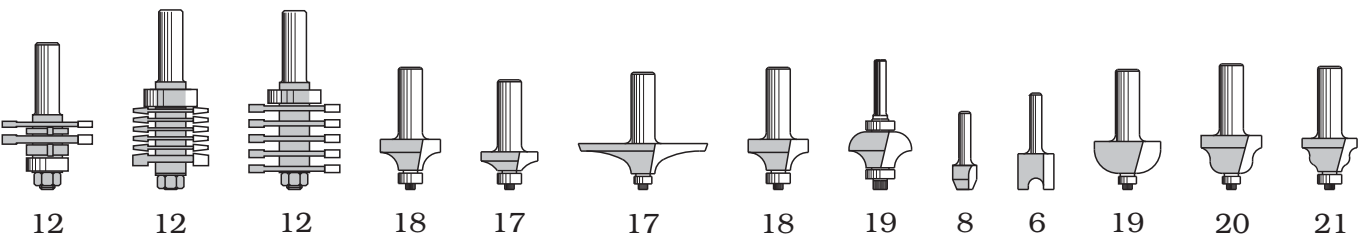
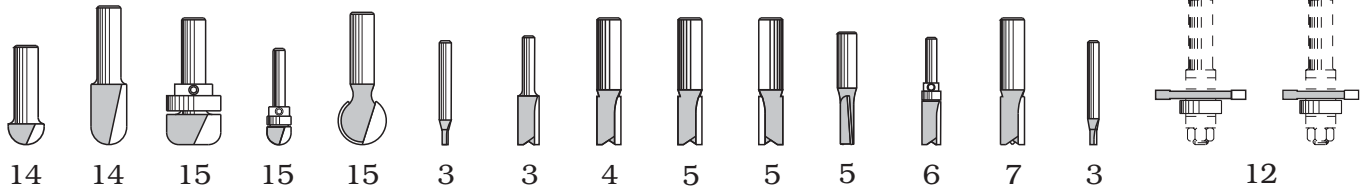
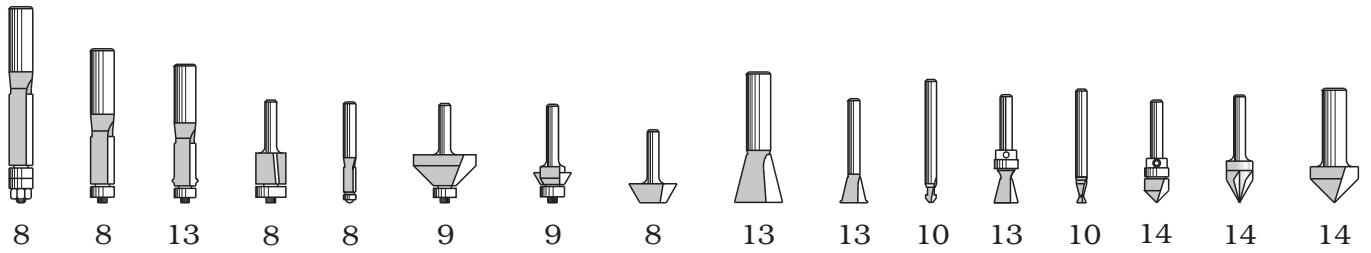
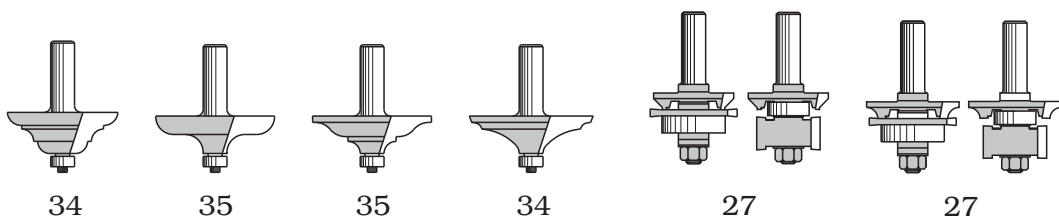
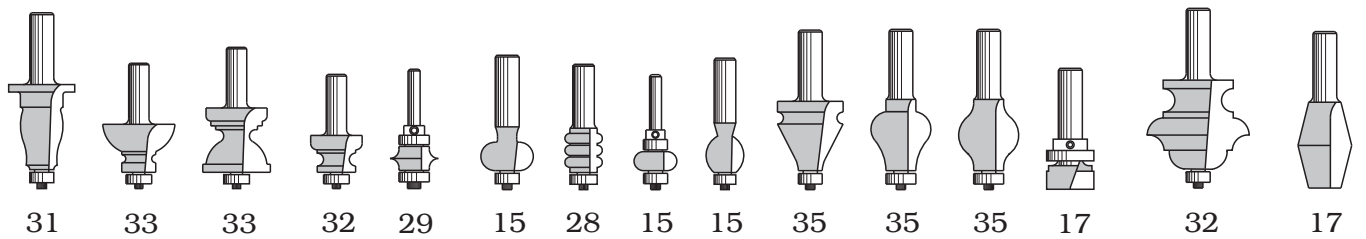
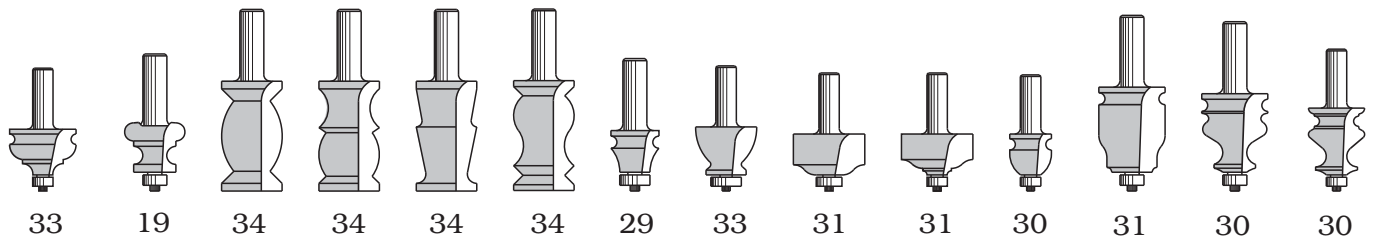
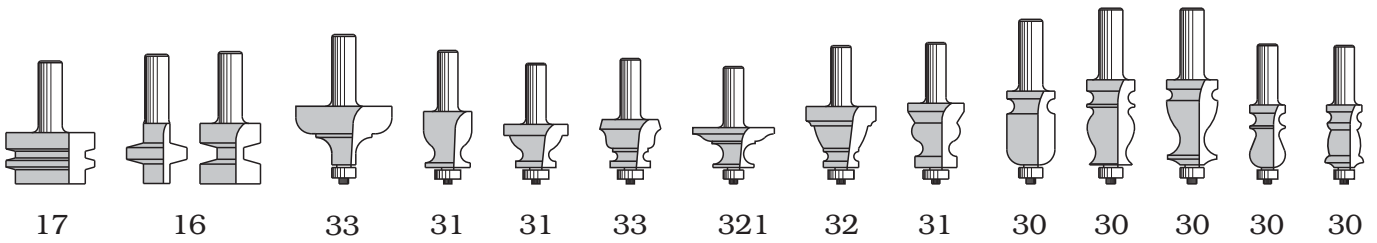
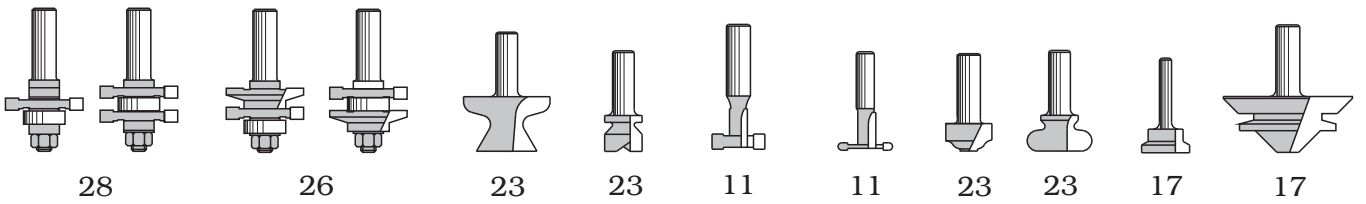
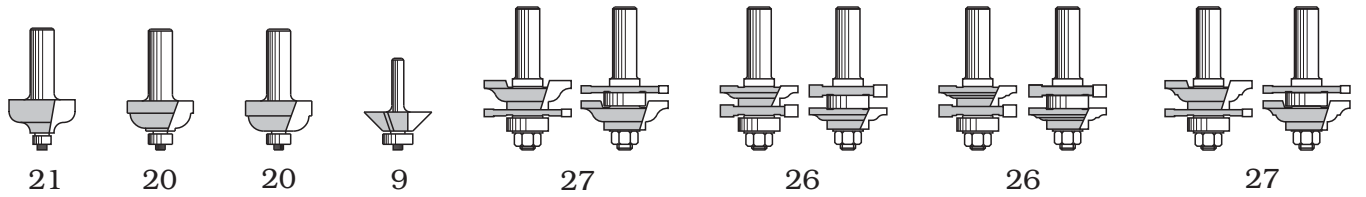


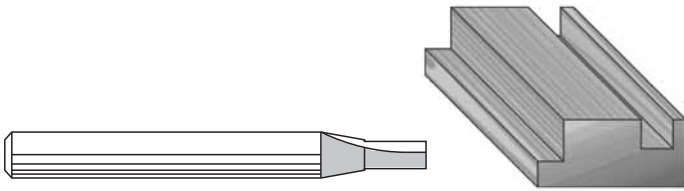
Table of Contents

<u>Page #</u>	<u>Page #</u>
Beading Bits15, 23, 28, 29	Mortising Bits6, 7
Ball Bearings & Spare Parts41, 42, 43	Moulding Bits33, 34
Ball Grooving Bits.....15	Multi-Profile Bits32
Bevel Trim Bits8, 9	Ogee Bits (Roman, Filet)20, 21,22, 23, 24
Bevel Trim Bits (Solid Carbide)10	Outer Edge Door Trimmer Bits23
Bottom Cleaning Bits17	Panel Pilot Bits11
Box Joint Bit Set.....12	Panelling Bits21, 22
Bull Nose Bits19, 20, 33	Rabbeting Bits16
Canoe Bits19	Rabbeting Bits (Sets)16
Chamfer Bits9	Rail & Stile Bits.....26, 27
Classical Bits20, 21, 24	Raised Panel Bits24, 25, 26, 27
Convex Beading Bits15, 28	Rip & Slotter Bit (Solid Carbide)10
Core Box (Round Nose) Bits14, 15	Rounding Over Bits18, 22
Corner Rounding Bits19	Slot Mortising Bits7
Cove Bits.....15, 19	Slotting Cutters12
Crown Moulding Bits34	Slotting Cutter Set (Multipurpose)12
Door Lip Bits22	Straight Bits3, 4, 5, 6, 7
Dovetail Bits13	Straight Bits (Shear Bits)5, 6
Edge Forming Bits30, 31, 32	Straight Bits (Staggered Tooth)6
Engraving Bits (Solid Carbide)14	Straight Bits (Compression)6
Fancy Moulding Bits30	Straight Bits (with Boring Point)7
Finger Grip Bits23	Tee/Bumper Moulding Bits10
Finger Joint Bit.....12	Thumb Nail Bits17
Flush Trim Bits (Straight & Upshear)8	Tongue & Groove Bits28
Flush Trim Bits (Solid Carbide)10	Traditional Bits23
Flush Trim Bits (V-Groove).....13	Trim Cutter Assemblies9
Glue Joint Bits (Bevel & Spline)16, 17	T-Slot Bits11
Handrail Bits.....34, 35	Veining Bits (Solid Carbide)10
Helix Laminate Trim Bits8	V-Grooving Bits13, 14
Keyhole Bits11	V-Groove & Scorer (Solid Carbide)10
Laminate Overhang Trim Bits10	Wavy Edge Bits.....21
Leaf Edge Bits29	
Locking Joint Bits17	Solid Surface Bits.....36, 37, 38, 39
Mitre Lock Bits17	Turnover Knife Router Bits.....40

Router Bit Illustrations (page #)

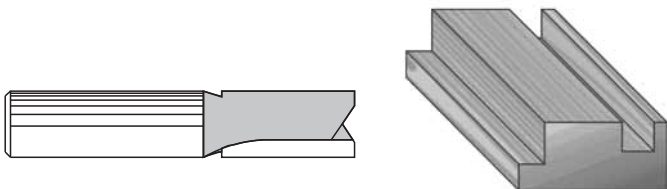






Straight Bits, 1/4" Shank, 1 Flute

Part Number	Cutting Dia	Cutting Length	Shank Dia	Overall Length
LR88000A*	1/16"	3/16"	1/4"	1-7/8"
LR88000*	1/8"	7/16"	1/4"	2"
LR88001*	5/32"	7/16"	1/4"	2"
LR88002*	3/16"	7/16"	1/4"	2"
LR88006*	7/32"	3/4"	1/4"	2"
LR88008	1/4"	1/2"	1/4"	2"
LR88012*	1/4"	3/4"	1/4"	2"
LR88016*	1/4"	1"	1/4"	2-1/4"
LR88020*	1/4"	1"	1/4"	2-7/8"
LR88024	9/32"	3/4"	1/4"	2"
LR88026	5/16"	1"	1/4"	2-1/4"
LR88028	3/8"	3/4"	1/4"	1-15/16"
LR88030	3/8"	1"	1/4"	2-3/8"
LR88032	1/2"	3/4"	1/4"	1-3/4"
LR88034	1/2"	1"	1/4"	2-1/8"
LR88036	5/8"	3/4"	1/4"	1-15/16"
LR88038	3/4"	3/4"	1/4"	1-3/4"

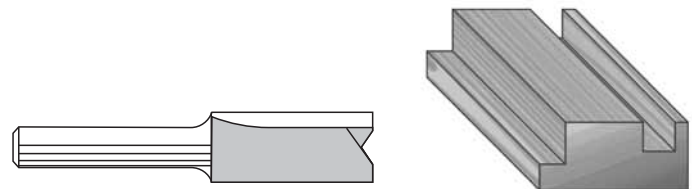


Straight Bits, 1/4" Shank, 2 Flutes

Part Number	Cutting Dia	Cutting Length	Shank Dia	Overall Length
LR88096	1/16"	3/16"	1/4"	1-7/8"
LR88098	3/32"	1/4"	1/4"	1-7/8"
LR88100L*	1/8"	7/16"	1/4"	2"
LR88100*	1/8"	5/16"	1/4"	2-3/16"
LR88102*	5/32"	7/16"	1/4"	2"
LR88104*	3/16"	7/16"	1/4"	2"
LR88105*	3/16"	5/8"	1/4"	2-1/8"
LR88106	7/32"	3/4"	1/4"	1-7/8"
LR88108	1/4"	1/2"	1/4"	2"
LR88110*	1/4"	3/4"	1/4"	2"
LR88112*	1/4"	1"	1/4"	2-1/4"
LR88116*	1/4"	1"	1/4"	2-7/8"
LR88120	9/32"	3/4"	1/4"	2"
LR88122*	9/32"	1"	1/4"	2-1/4"
LR88124	5/16"	3/4"	1/4"	2"
LR88128*	5/16"	1"	1/4"	2-1/4"
LR88134	3/8"	3/4"	1/4"	2"
LR88136	3/8"	1"	1/4"	2-1/4"

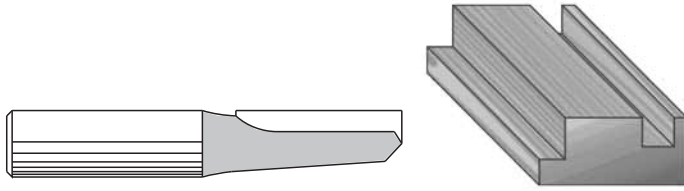
Two Flutes Continued

Part Number	Cutting Dia	Cutting Length	Shank Dia	Overall Length
LR88138*	3/8"	1-1/4"	1/4"	2-1/2"
LR88140	7/16"	3/4"	1/4"	2"
LR88142	7/16"	1"	1/4"	2-1/8"
LR88144	1/2"	3/4"	1/4"	2"
LR88146	1/2"	1"	1/4"	2-1/8"
LR88148	1/2"	1-1/4"	1/4"	2-1/2"
LR88150	9/16"	3/4"	1/4"	2-1/8"
LR88152	9/16"	1"	1/4"	2-1/2"
LR88154	5/8"	3/4"	1/4"	2"
LR88155	5/8"	1"	1/4"	2-1/4"
LR88156	11/16"	3/4"	1/4"	2"
LR88157	11/16"	1"	1/4"	2-1/4"
LR88158	3/4"	3/4"	1/4"	2"
LR88159	3/4"	1"	1/4"	2-1/4"
LR88160	13/16"	3/4"	1/4"	2"
LR88162	7/8"	3/4"	1/4"	2"
LR88164	15/16"	3/4"	1/4"	2"
LR88166	1"	3/4"	1/4"	2"



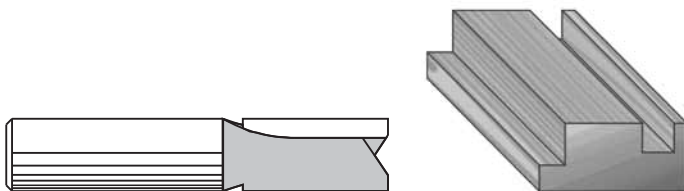
Straight Bits "Metric", 1/4" Shank, 2 Flutes

Part Number	Cutting Dia	Cutting Length	Shank Dia	Overall Length
LR88168*	3mm	7/16"	1/4"	1-9/16"
LR88170*	4mm	7/16"	1/4"	2"
LR88172*	5mm	7/16"	1/4"	2"
LR88174*	6mm	3/4"	1/4"	2"
LR88176	7mm	3/4"	1/4"	2"
LR88178	8mm	3/4"	1/4"	2"
LR88180*	8mm	1"	1/4"	2-1/4"
LR88182	9mm	3/4"	1/4"	2"
LR88184	10mm	3/4"	1/4"	2"
LR88186	11mm	3/4"	1/4"	2"
LR88188	12mm	3/4"	1/4"	2"
LR88190	13mm	3/4"	1/4"	2"
LR88192	14mm	3/4"	1/4"	2"
LR88194	15mm	3/4"	1/4"	2"
LR88196	16mm	3/4"	1/4"	2"
LR88198	16mm	1-1/4"	1/4"	2-1/4"
LR88200	17mm	3/4"	1/4"	2"
LR88202	18mm	3/4"	1/4"	2"
LR88204	19mm	3/4"	1/4"	2"
LR88206	20mm	3/4"	1/4"	2"
LR88208	21mm	3/4"	1/4"	2"
LR88210	22mm	3/4"	1/4"	2"
LR88212	25mm	3/4"	1/4"	2"



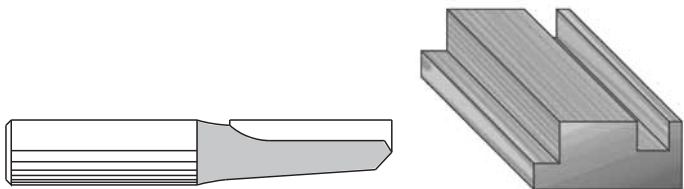
Straight Bits, 3/8" Shank, 1 Flute

Part Number	Cutting Dia	Cutting Length	Shank Dia	Overall Length
LR88300*	1/4"	3/4"	3/8"	2-1/4"
LR88310	3/8"	1"	3/8"	2-11/16"
LR88312*	3/8"	1-1/4"	3/8"	2-5/8"



Straight Bits, 3/8" Shank, 2 Flutes

Part Number	Cutting Dia	Cutting Length	Shank Dia	Overall Length
LR88314*	1/8"	7/16"	3/8"	2"
LR88316*	5/32"	7/16"	3/8"	2"
LR88317*	3/16"	7/16"	3/8"	2"
LR88320*	1/4"	3/4"	3/8"	2-1/4"
LR88324*	5/16"	1"	3/8"	2-1/2"
LR88326	3/8"	3/4"	3/8"	2-1/4"
LR88328	3/8"	1"	3/8"	2-1/2"
LR88330*	3/8"	1-1/4"	3/8"	2-3/4"
LR88332*	3/8"	1-1/4"	3/8"	3-3/8"
LR88336	7/16"	1"	3/8"	2-1/2"
LR88340	1/2"	1"	3/8"	2-1/2"
LR88342	1/2"	1-1/4"	3/8"	2-1/2"
LR88346	5/8"	3/4"	3/8"	2-1/4"
LR88350	13/16"	3/4"	3/8"	2-1/4"
LR88352	7/8"	3/4"	3/8"	2-1/4"
LR88354	1"	3/4"	3/8"	2-1/4"

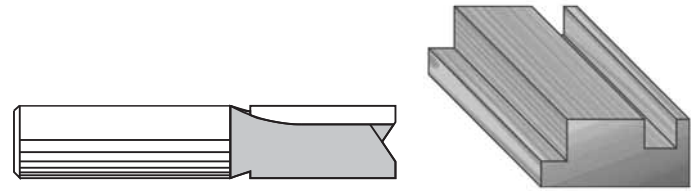


Straight Bits, 1/2" Shank, 1 Flute

Part Number	Cutting Dia	Cutting Length	Shank Dia	Overall Length
LR88400*	1/4"	3/4"	1/2"	2-1/2"
LR88404*	1/4"	1"	1/2"	2-1/2"
LR88408*	5/16"	1"	1/2"	2-3/4"
LR88414	3/8"	1"	1/2"	2-1/2"

One Flute Continued

Part Number	Cutting Dia	Cutting Length	Shank Dia	Overall Length
LR88416*	3/8"	1-1/4"	1/2"	2-3/4"
LR88420	1/2"	1"	1/2"	2-1/2"
LR88422	1/2"	1-1/4"	1/2"	2-7/8"
LR88424	1/2"	1-1/4"	1/2"	3-3/8"
LR88426	1/2"	1-1/2"	1/2"	3-1/8"
LR88428*	1/2"	2"	1/2"	4-1/4"
LR88432	1/2"	2-1/4"	1/2"	4-1/4"
LR88421	9/16"	1-1/4"	1/2"	2-7/8"
LR88423	5/8"	1-1/4"	1/2"	2-7/8"

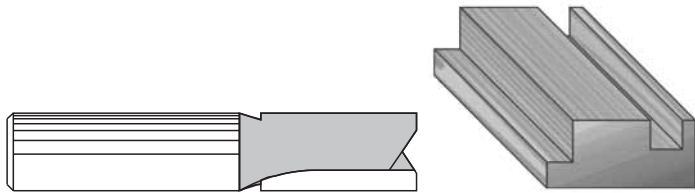


Straight Bits, 1/2" Shank, 2 Flutes

Part Number	Cutting Dia	Cutting Length	Shank Dia	Overall Length
LR88497	15/64"	3/4"	1/2"	2-1/2"
LR88498	1/4"	1/2"	1/2"	2"
LR88500*	1/4"	3/4"	1/2"	2-1/2"
LR88500L*	1/4"	1"	1/2"	2-1/2"
LR88504	5/16"	3/4"	1/2"	2-1/2"
LR88506*	5/16"	1"	1/2"	2-1/2"
LR88516	3/8"	3/4"	1/2"	2-1/2"
LR88518	3/8"	1"	1/2"	2-1/2"
LR88520*	3/8"	1-1/4"	1/2"	3"
LR88524	13/32"	1"	1/2"	2-3/4"
LR88528	7/16"	1"	1/2"	2-5/8"
LR88530	7/16"	1-1/4"	1/2"	3"
LR88532	31/64"	1"	1/2"	2-5/8"
LR88534	1/2"	1"	1/2"	2-5/8"
LR88536	1/2"	1-1/4"	1/2"	2-7/8"
LR88542	1/2"	1-1/2"	1/2"	3"
LR88544	1/2"	1-1/2"	1/2"	4-1/4"
LR88548*	1/2"	2"	1/2"	4-1/4"
LR88550*	1/2"	2-1/2"	1/2"	4-1/2"
LR88558	17/32"	1-1/4"	1/2"	2-7/8"
LR88560	9/16"	1"	1/2"	2-5/8"
LR88562	9/16"	1-1/4"	1/2"	2-7/8"
LR88564	5/8"	1"	1/2"	2-5/8"
LR88568	5/8"	1-1/4"	1/2"	2-7/8"
LR88570	5/8"	1-1/2"	1/2"	3"
LR88572	5/8"	2"	1/2"	3-5/8"
LR88578	21/32"	1-1/4"	1/2"	2-7/8"
LR88582	11/16"	1-1/4"	1/2"	2-7/8"
LR88584	23/32"	1-1/4"	1/2"	2-7/8"
LR88588	3/4"	1"	1/2"	2-5/8"
LR88590	3/4"	1-1/4"	1/2"	2-7/8"
LR88592	3/4"	1-1/2"	1/2"	3"
LR88594	3/4"	2"	1/2"	3-5/8"
LR88600	25/32"	1-1/4"	1/2"	2-7/8"
LR88602	13/16"	1"	1/2"	2-5/8"
LR88604	13/16"	1-1/4"	1/2"	2-7/8"
LR88606	7/8"	1"	1/2"	2-5/8"

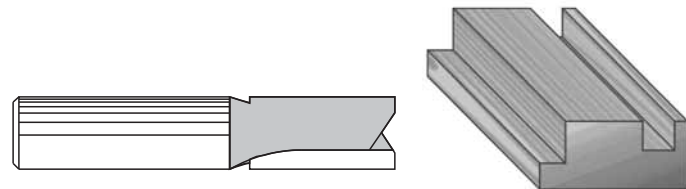
Two Flutes Continued

Part Number	Cutting Dia	Cutting Length	Shank Dia	Overall Length
LR88610	7/8"	1-1/4"	1/2"	2-7/8"
LR88612	15/16"	1-1/4"	1/2"	2-7/8"
LR88614	1"	1"	1/2"	2-5/8"
LR88616	1"	1-1/4"	1/2"	2-7/8"
LR88618	1"	1-1/2"	1/2"	3"
LR88620	1"	2"	1/2"	3-5/8"
LR88622	1-1/16"	1-1/4"	1/2"	2-7/8"
LR88628	1-1/8"	1-1/4"	1/2"	2-7/8"
LR88624	1-3/16"	1-1/4"	1/2"	2-7/8"
LR88632	1-1/4"	1-1/4"	1/2"	2-7/8"
LR88636	1-3/8"	1-1/4"	1/2"	2-7/8"
LR88638	1-1/2"	1-1/4"	1/2"	2-7/8"
LR88640	1-5/8"	1-1/4"	1/2"	2-7/8"
LR88642	1-3/4"	1-1/4"	1/2"	2-7/8"
LR88644	1-7/8"	1-1/4"	1/2"	2-7/8"
LR88646	2"	1-1/4"	1/2"	2-7/8"



Straight Bits, 1/2" Shank, "LH" 2 Flutes

Part Number	Cutting Dia	Cutting Length	Shank Dia	Overall Length
LR88433	5/16"	3/4"	1/2"	2-1/2"
LR88434*	5/16"	1"	1/2"	2-3/4"
LR88435	3/8"	1"	1/2"	2-3/4"
LR88436	7/16"	1-1/4"	1/2"	3"
LR88437	1/2"	1-1/4"	1/2"	2-7/8"
LR88437A	1/2"	1-1/2"	1/2"	3"
LR88438*	1/2"	2"	1/2"	4-1/4"
LR88439	9/16"	1-1/4"	1/2"	2-7/8"
LR88440	5/8"	1-1/4"	1/2"	2-7/8"
LR88441	3/4"	1-1/4"	1/2"	2-7/8"
LR88442	3/4"	2"	1/2"	3-5/8"
LR88443	13/16"	1-1/4"	1/2"	2-7/8"
LR88444	7/8"	1-1/4"	1/2"	2-7/8"
LR88445	1"	1-1/4"	1/2"	2-7/8"

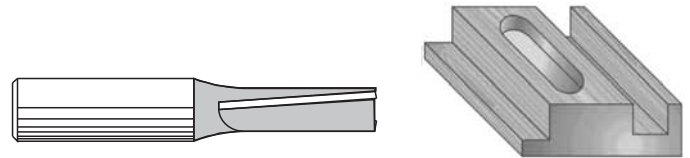


Straight Bits "Metric", 1/2" Shank, 2 Flutes

Part Number	Cutting Dia	Cutting Length	Shank Dia	Overall Length
LR88648*	6mm	3/4"	1/2"	2-1/2"
LR88650*	8mm	1"	1/2"	2-5/8"
LR88652	10mm	1"	1/2"	2-1/2"

Two Flutes Continued

Part Number	Cutting Dia	Cutting Length	Shank Dia	Overall Length
LR88654*	10mm	1-1/4"	1/2"	3"
LR88656	12mm	1"	1/2"	2-5/8"
LR88658	12mm	1-1/4"	1/2"	2-7/8"
LR88660	12mm	1-1/2"	1/2"	3"
LR88662*	12mm	2"	1/2"	4-1/4"
LR88664	14mm	1"	1/2"	2-5/8"
LR88668	16mm	1"	1/2"	2-5/8"
LR88670	16mm	1-1/4"	1/2"	2-7/8"
LR88672	16mm	1-1/2"	1/2"	3-1/8"
LR88674	18mm	1-1/4"	1/2"	2-7/8"
LR88676	19mm	1"	1/2"	2-5/8"
LR88678	19mm	1-1/4"	1/2"	2-7/8"
LR88680	19mm	1-1/2"	1/2"	3-1/8"
LR88682	20mm	1"	1/2"	2-5/8"
LR88684	20mm	1-1/4"	1/2"	2-7/8"
LR88686	22mm	1"	1/2"	2-5/8"
LR88688	25mm	1-1/4"	1/2"	2-7/8"
LR88690	25mm	1-1/2"	1/2"	3-1/8"
LR88692	27mm	1-1/4"	1/2"	2-7/8"
LR88694	30mm	1"	1/2"	2-5/8"
LR88696	35mm	1"	1/2"	2-5/8"
LR88698	40mm	1-1/4"	1/2"	2-7/8"
LR88700	51mm	1-1/4"	1/2"	2-7/8"



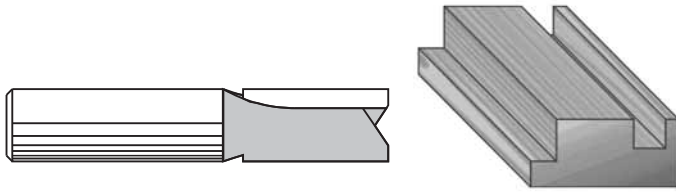
Down-Cut Shear Cut Straight Bits, 2 Flutes

Part Number	Cutting Dia	Cutting Length	Shank Dia	Overall Length
LR88922	3/8"	1"	1/2"	2-3/4"
LR88926	1/2"	1-1/4"	1/2"	2-7/8"
LR88928	1/2"	1-1/2"	1/2"	3-1/8"
LR88930	1/2"	2"	1/2"	4-1/4"



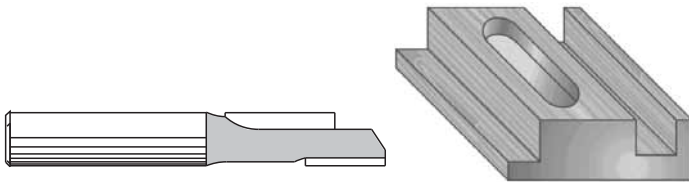
Up-Cut Shear Cut Straight Bits, 2 Flutes

Part Number	Cutting Dia	Cutting Length	Shank Dia	Overall Length
LR88932	3/8"	1"	1/2"	2-3/4"
LR88934	1/2"	1"	1/2"	2-5/8"
LR88936	1/2"	1-1/4"	1/2"	2-7/8"
LR88938	1/2"	1-1/2"	1/2"	3-1/8"
LR88940	1/2"	2"	1/2"	4-1/4"
LR88942	3/4"	1-1/4"	1/2"	2-7/8"
LR88944	1"	1-1/4"	1/2"	2-7/8"



Straight Bits, 3/4" Shank, 2 Flutes

Part Number	Cutting Dia	Cutting Length	Shank Dia	Overall Length
LR88708	3/4"	2"	3/4"	4"
LR88774	3/4"	2-1/2"	3/4"	5"
LR88779	1"	3"	3/4"	5-1/8"



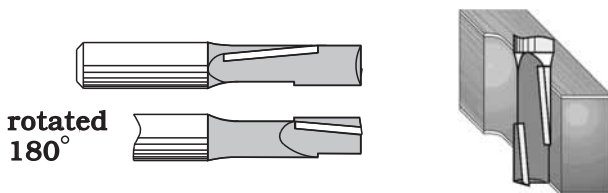
Stagger Tooth Straight Bits

Part Number	Cutting Dia	Cutting Length	Shank Dia	Overall Length
LR88801	1/4"	1"	1/4"	2-1/4"
LR88800	3/8"	1-3/8"	3/8"	3"
LR88802	3/8"	1-1/2"	1/2"	3-1/8"
LR88806	1/2"	1-3/4"	1/2"	3-1/4"
LR88808	1/2"	2-1/4"	1/2"	4"
LR88809	1/2"	2-1/4"	1/2"	4-1/4"



Compression Bits

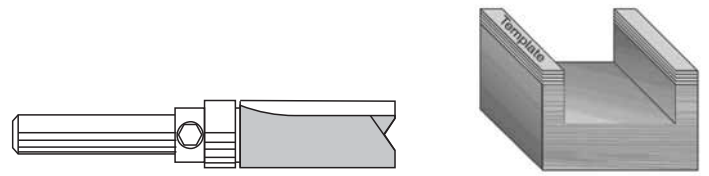
Part Number	Cutting Dia	Cutting Length	Shank Dia	Overall Length
LR88814	3/4"	2"	1/2"	4-1/4"
LR88815	3/4"	2"	3/4"	4-3/8"



rotated
180°

Stagger Shear Tooth Bits

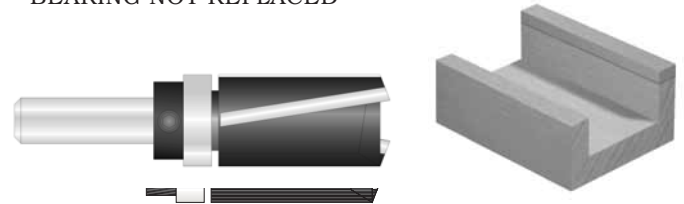
Part Number	Cutting Dia	Cutting Length	Shank Dia	Overall Length
LR88811	1/2"	1-1/4"	1/2"	3-1/8"
LR88812	1/2"	2"	1/2"	4-1/4"



Straight Bits, with Centre Bearing, 2 Flutes

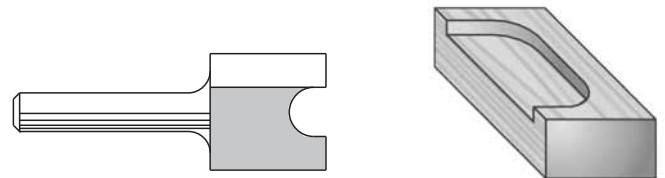
Part Number	Cutting Dia	Cutting Length	Shank Dia	Overall Length	Bearing
LR93067	1/2"	1/4"	1/4"	2"	LR95004A
LR93068	1/2"	1"	1/4"	2-1/2"	LR95004A
LR93068B	1/2"	1/2"	1/4"	2-1/4"	LR95004A
LR93068A	1/2"	1-1/4"	1/4"	2-3/4"	LR95004A
LR93069	5/8"	1"	1/4"	2-1/2"	LR95005
LR93070	3/4"	1"	1/4"	2-1/2"	LR95006
LR93072	3/4"	1-1/4"	1/4"	2-3/4"	LR95006
LR93072B	3/4"	1"	1/2"	3"	LR95006C
LR93072C	3/4"	2"	1/2"	3-5/8"	LR95006C
LR93073A*	1"	1"	3/8"	2-3/4"	
LR93073	1"	1-3/4"	1/2"	3-3/4"	LR95008E
LR93074	1-1/8"	1-1/2"	1/2"	3-5/8"	LR95009
LR93075	1-1/4"	1-3/4"	1/2"	4"	LR95009A
LR93071	1-1/2"	1-3/4"	1/2"	3-1/4"	LR95008B

* BEARING NOT REPLACED



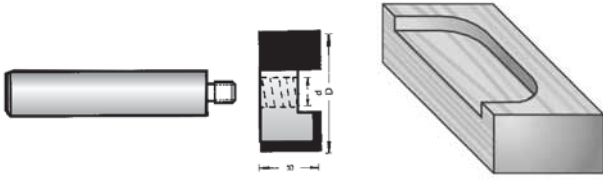
Down Shear Straight Bits, with Centre Bearing, 2 Flutes

Part Number	Cutting Dia	Cutting Length	Shank Dia	Overall Length	Bearing
LR93091	3/4"	1-1/4"	1/2"	3-5/16"	LR95006
LR93092	3/4"	1-1/2"	1/2"	3-1/2"	LR95006
LR93093	3/4"	2"	1/2"	4"	LR95006



Mortising Bits, 2 Flutes

Part Number	Cutting Dia	Cutting Length	Shank Dia	Overall Length
LR89000	1/2"	3/4"	1/4"	2"
LR89002	5/8"	3/4"	1/4"	2"
LR89004	3/4"	3/4"	1/4"	2"
LR89005	1"	3/4"	1/4"	2"
LR89006	1-1/4"	1-1/4"	1/2"	2-7/8"
LR89006A	1-1/4"	9/16"	1/4"	2"

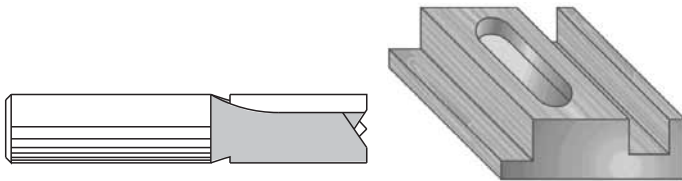


Mortising Bits, 2 Flutes, Screw Type

Part Number	Cutting Dia	Cutting Length	Thread Hole
LR89007	5/8"	1/2"	1/4 - 28 Thread
LR89008	3/4"	1/2"	1/4 - 28 Thread
LR89009	1"	1/2"	1/4 - 28 Thread
LR89010	1-1/4"	5/8"	1/4 - 28 Thread

Replacement Shanks:

LR95106 = 1/4" Shank x 1/4 - 28 Thread
 LR95108 = 1/2" Shank x 1/4 - 28 Thread



Bottom Carbide Straight Bits, for Plunging, 1/4" Shank, 2 Flutes

Part Number	Cutting Dia	Cutting Length	Shank Dia	Overall Length
LR88124BP	5/16"	3/4"	1/4"	2"
LR88134BP	3/8"	3/4"	1/4"	2"
LR88136BP	3/8"	1"	1/4"	2-1/4"
LR88144BP	1/2"	3/4"	1/4"	2"
LR88146BP	1/2"	1"	1/4"	2-1/8"
LR88154BP	5/8"	3/4"	1/4"	2"
LR88162BP	7/8"	3/4"	1/4"	2"
LR88166BP	1"	3/4"	1/4"	2"

Bottom Carbide Straight Bits, for Plunging, 1/2" Shank, 2 Flutes

Part Number	Cutting Dia	Cutting Length	Shank Dia	Overall Length
LR88504BP	5/16"	3/4"	1/2"	2-1/2"
LR88520BP	3/8"	1-1/4"	1/2"	3"
LR88528BP	7/16"	1"	1/2"	2-3/4"
LR88534BP	1/2"	1"	1/2"	2-5/8"
LR88536BP	1/2"	1-1/4"	1/2"	2-7/8"
LR88544BP	1/2"	1-1/2"	1/2"	3-1/8"
LR88548BP	1/2"	2"	1/2"	4-1/4"
LR88568BP	5/8"	1-1/4"	1/2"	2-7/8"
LR88572BP	5/8"	2"	1/2"	3-3/4"
LR88588BP	3/4"	1"	1/2"	2-5/8"
LR88610BP	7/8"	1-1/4"	1/2"	2-7/8"
LR88614BP	1"	1"	1/2"	2-5/8"
LR88639BP	1-5/8"	1"	1/2"	2-5/8"
LR88642BP	1-3/4"	1-1/4"	1/2"	2-7/8"
LR88644BP	1-7/8"	1-1/4"	1/2"	2-7/8"

CHIP BREAKER BITS



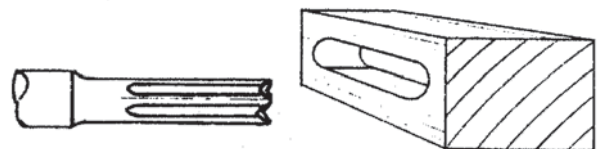
This type of router bit is ideal for cutting hardboard and chipboard at high feed rates. Each flute is ground so that chip breakers offset each other, giving a straight cut.

Any double flute router bit in this catalog can be ordered as a Chip Breaker bit by writing the letters "CB" after the catalog number of that bit.

Reciprocating Slot Mortise Bits, 4 Flutes

Shank Diam = 13mm x 50mm
 For **Balestrini Machines**

Part Number	Cutting Dia	Cutting Length	Shank Dia	Overall Length
LR89050	6mm	45mm	13mm	100mm
LR89052	7mm	45mm	13mm	100mm
LR89054	8mm	45mm	13mm	100mm
LR89056	9mm	45mm	13mm	100mm
LR89058	10mm	55mm	13mm	110mm
LR89060	11mm	55mm	13mm	110mm
LR89062	12mm	55mm	13mm	110mm
LR89064	13mm	55mm	13mm	110mm
LR89066	14mm	55mm	13mm	110mm
LR89068	15mm	55mm	13mm	110mm
LR89070	16mm	55mm	13mm	110mm

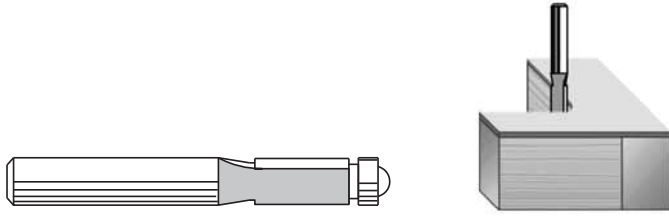


Slot Mortise Bits, 3 Flutes

Shank Diam = 16mm x 50mm
 For **Bacci Machines** (Right & Left Hand Rotations)

Part Number	Cutting Dia	Cutting Length	Shank Dia	Overall Length
LR89072	6mm	55mm	16mm	110mm
LR89076	8mm	55mm	16mm	110mm
LR89080	10mm	55mm	16mm	110mm
LR89084	12mm	55mm	16mm	110mm
LR89088	14mm	60mm	16mm	115mm
LR89092	16mm	60mm	16mm	115mm
LR89094	18mm	60mm	16mm	115mm
LR89096	20mm	60mm	16mm	115mm

Add "L" to end of part number for **LEFT HAND** rotation

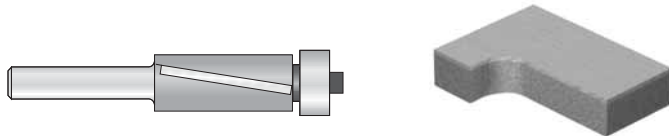


Flush Trim Bits, with Bearing

Part Number	Cutting Dia	Cutting Length	Shank Dia	Overall Length	Bearing
Double Flute					
LR92998	1/4"	1"	1/4"	2-1/2"	LR95001
LR92999	1/4"	1/2"	1/4"	2"	LR95001
LR93000	3/8"	1"	1/4"	2-5/8"	LR95000
LR93002	3/8"	1/2"	1/4"	2-1/4"	LR95000
LR93004	1/2"	1"	1/4"	2-5/8"	LR95004
LR93006	1/2"	1/2"	1/4"	2-1/4"	LR95004
LR93008	1/2"	1"	1/2"	3-1/4"	LR95004
LR93010	1/2"	1/2"	1/2"	2-3/4"	LR95004
LR93012	1/2"	1-1/2"	1/4"	3-3/8"	LR95004
LR93008L	1/2"	1-1/2"	1/2"	3-7/8"	LR95004
LR93008X	1/2"	2"	1/2"	4-1/4"	LR95004
LR93009	1/2"	1"	3/8"	2-3/4"	LR95004
LR93007	5/8"	5/8"	1/4"	2-1/4"	LR95005B
LR93013	3/4"	1"	1/2"	3"	LR95006

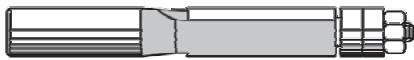
Triple Flute

LR93050	1/2"	1"	1/4"	2-5/8"	LR95004
LR93052	1/2"	1/2"	1/4"	2-1/4"	LR95004
LR93054	1/2"	1"	1/2"	3-1/4"	LR95004
LR93056	1/2"	1/2"	1/2"	2-3/4"	LR95004
LR93058	1/2"	1-1/2"	1/2"	3-7/8"	LR95004
LR93053	7/8"	1/2"	1/4"	2-1/4"	LR95008F



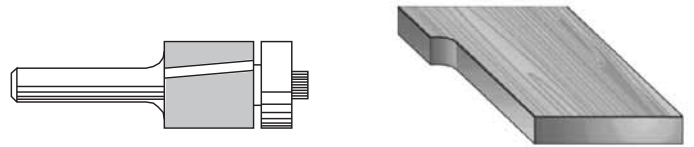
Up-Shear Flush Trim Bits, with Bearing

Part Number	Cutting Dia	Cutting Length	Shank Dia	Overall Length	Bearing
Double Flute					
LR93020	1/2"	1"	1/4"	2-5/8"	LR95004
LR93021	3/4"	1/2"	1/2"	4"	LR95006
LR93022	3/4"	2"	1/2"	4-5/8"	LR95006



Flush Trim Bits, with Double Bearing

Part Number	Cutting Dia	Cutting Length	Shank Dia	Overall Length	Bearing
Double Flute					
LR93076	1/2"	1-1/2"	1/2"	4-1/16"	LR95004
LR93078	1/2"	2"	1/2"	4-1/2"	LR95004
Triple Flute					
LR93080	1/2"	1-1/2"	1/2"	4-1/16"	LR95004



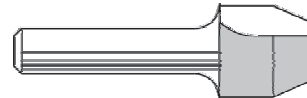
Helix Laminate Flush Trim Bits, with Bearing, 2 Flutes

Part Number	Cutting Dia	Cutting Length	Shank Dia	Overall Length	Bearing
LR93202	1/2"	1"	1/4"	2-5/8"	LR95004
LR93203	1/2"	1"	1/2"	3"	LR95004
LR93199	5/8"	5/8"	1/4"	2-3/16"	LR95005
LR93200	3/4"	5/8"	1/4"	2-3/8"	LR95006
LR93201	3/4"	1"	1/4"	2-7/8"	LR95006
LR93204	3/4"	1-1/2"	1/2"	4"	LR95006
LR93205	3/4"	2"	1/2"	4-1/2"	LR95006



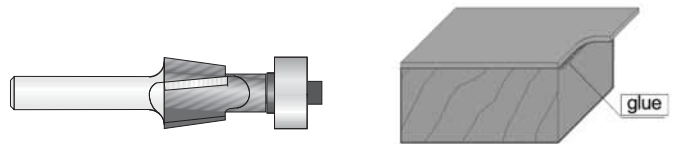
Bevel Bits, No Plunge, 2 Flutes

Part Number	Cutting Dia	Cutting Length	Shank Dia	Overall Length	Bevel
LR93082	9/16"	5/8"	1/4"	1-3/4"	10 Deg
LR93084	1/2"	1/2"	1/4"	2"	15 Deg
LR93088	7/8"	3/8"	1/4"	1-5/8"	23 Deg
LR93098	1"	3/8"	1/4"	1-5/8"	30 Deg
LR93099	1-3/8"	3/8"	1/4"	1-5/8"	45 Deg



Combination: Bevel & Flush Trim Bits

Part Number	Cutting Dia	Cutting Length	Shank Dia	Overall Length	Bevel	# of Wings
LR93408	3/8"	1/2"	1/4"	1-5/8"	23 Deg	2
LR93401	1/2"	1/2"	1/4"	1-5/8"	23 Deg	1
LR93404	1/2"	1/2"	1/4"	1-5/8"	23 Deg	2
LR93403	1/2"	1/2"	1/4"	1-5/8"	30 Deg	2
LR93400	1/2"	1/2"	1/4"	1-5/8"	45 Deg	2



Bevel Trim Bit with Down Shear, 2 Flutes

Part Number	Cutting Dia	Cutting Length	Shank Dia	Overall Length	Bevel
LR93101	19/32"	1/2"	1/4"	2-5/16"	8 Deg

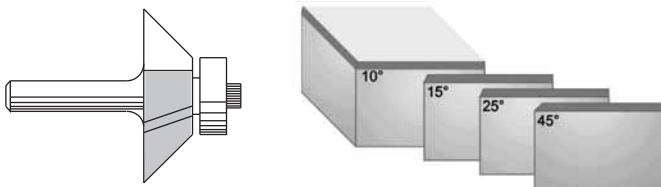
Replacement Bearings: LR95004



Chamfer Bits, with Bearing, 2 Flutes

Part Number	Cutting Dia	Cutting Length	Shank Dia	Overall Length	Bevel
A LR91500	1-1/4"	1/2"	1/4"	2"	45 Deg
A LR91504	1-1/4"	1/2"	1/2"	2-3/8"	45 Deg
B LR91508	2"	3/4"	1/2"	2-5/8"	45 Deg
B LR91512	2-1/2"	1"	1/2"	2-13/16"	45 Deg

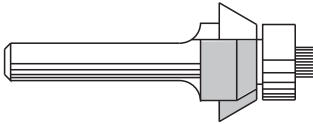
Replacement Bearings: (A) LR95002 (B) LR95004



Chamfer Bits, with Bearing, 3 Flutes

Part Number	Cutting Dia	Cutting Length	Shank Dia	Overall Length	Bevel
LR93040	3/4"	3/8"	1/4"	1-7/8"	10 Deg
LR93042	13/16"	3/8"	1/4"	1-7/8"	15 Deg
LR93044	15/16"	3/8"	1/4"	1-7/8"	25 Deg
LR93046	1-7/16"	3/8"	1/4"	1-7/8"	45 Deg

Replacement Bearing: LR95005B



Chamfer Bits, with Bearing, 2 Flutes

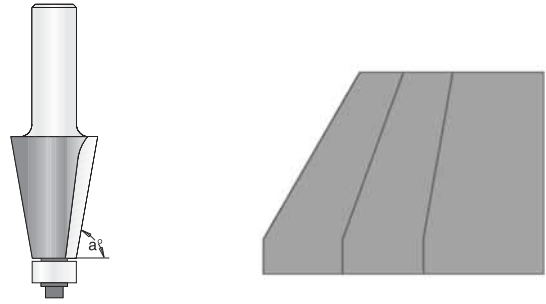
Part Number	Cutting Dia	Cutting Length	Shank Dia	Overall Length	Bevel
A LR93060	1/2"	1/4"	1/4"	2-1/8"	0 Deg
A LR93062	5/8"	1/4"	1/4"	2-1/8"	15 Deg
C LR93062A	5/8"	1/2"	1/4"	2"	15 Deg
A LR93064	3/4"	1/4"	1/4"	2-1/8"	25 Deg
B LR93066	1"	1/4"	1/4"	2-1/8"	45 Deg
B LR93066A	1"	3/8"	1/4"	2"	15 Deg

Replacement Bearings: (A) LR95004 (B) LR95006 (C) LR95002



Bevel Bit, 2 Flutes

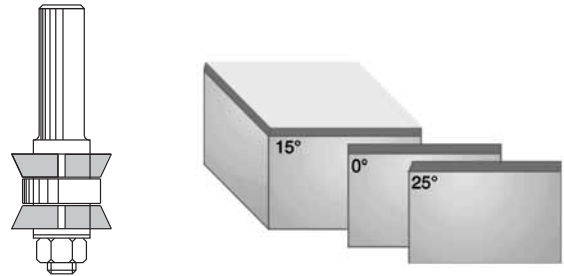
Part Number	Cutting Dia	Cutting Height	Shank Dia	Overall Length	Bevel
LR93107	1-3/8"	11/16"	1/4"	2-1/4"	45 Deg



Bevel Bits with Bearing, 2 Flutes

Part Number	Cutting Dia	Cutting Length	Shank Dia	Overall Length	Axis
LR93102	2-3/32"	1-1/8"	1/2"	3-5/16"	60 Deg
LR93103	1-41/64"	1-1/8"	1/2"	3-5/16"	67.5 Deg
LR93104	1-1/2"	1-1/8"	1/2"	3-5/16"	70 Deg
LR93105	1-15/64"	1-1/8"	1/2"	3-5/16"	75 Deg
LR93106	1"	1-1/8"	1/2"	3-5/16"	80 Deg

Replacement Bearings: LR95004



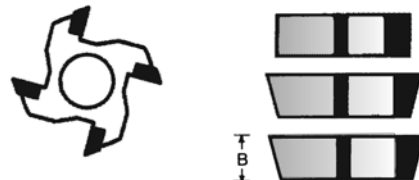
Trim Cutter Assembly

Part Number	Cutting Dia	Cutting Length	Shank Dia	Bevel
LR93100	7/8"	1/4"	1/4"	0 Degree
LR93108	7/8"	1/4"	1/2"	0 Degree
LR93110	1"	1/4"	1/4"	15 Degree
LR93118	1"	1/4"	1/2"	15 Degree
LR93120	1-1/16"	1/4"	1/4"	25 Degree
LR93128	1-1/16"	1/4"	1/2"	25 Degree

Replacement Parts:

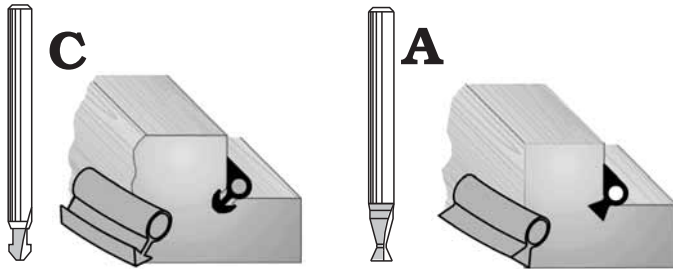
Ball Bearing: LR95008
 Shank 1/4": LR95100
 Shank 1/2": LR95104

Assembly comes with
 1 cutter only
 (not as illustrated)



4 Wing Cutters Only

Part Number	Cutting Dia	Cutting Height	Inside Dia	Bevel
LR93140	7/8"	1/4"	5/16"	0 Degree
LR93150	1"	1/4"	5/16"	15 Degree
LR93160	1-1/16"	1/4"	5/16"	25 Degree



Tee/Bumper Moulding Bits, 2 Flutes

Part Number	Cutting Dia	Cutting Length	Shank Dia	Overall Length	Bevel
LR89400A	13/64"	5/32"	1/4"	2-3/8"	25 Deg
LR89400C	19/64"	15/32"	1/4"	2-9/16"	38 Deg



Laminate Overhang Trim Bit, Carbide Tipped

Part Number	Cutting Dia	Cutting Length	Shank Dia	Overhang	Overall Length
LR93500	3/8"	1/2"	1/4"	3/16"	2-13/16"



Flush Trimming Bits, Solid Carbide

Part Number	Cutting Dia	Cutting Length	Shank Dia	Bevel	Overall Length
LR94000	1/4"	1/4"	1/4"	0 Degree	1-1/2"
LR94002	1/4"	3/8"	1/4"	0 Degree	1-1/2"



Bevel Trimming Bits, Solid Carbide

Part Number	Cutting Dia	Cutting Length	Shank Dia	Bevel	Overall Length
LR94004	3/16"	1/4"	1/4"	7 Degree	1-1/2"
LR94005	3/16"	1/4"	1/4"	7 Degree	2-1/2"



V-Groove and Scorer, 90 Degree, Solid Carbide

Part Number	Cutting Dia	Cutting Length	Shank Dia	Overall Length
LR89298	1/8"	1/4"	1/4"	1-1/2"
LR89299	3/16"	1/4"	1/4"	1-1/2"
LR89300	1/4"	1/4"	1/4"	1-1/2"



Rip & Slotter Bit, Solid Carbide

Part Number	Cutting Dia	Cutting Length	Shank Dia	Overall Length
LR94300	1/4"	1/4"	1/4"	1-1/2"



Flush Trimmer Bits, with Boring Point, Solid Carbide

Part Number	Cutting Dia	Cutting Length	Shank Dia	Overall Length
LR94010	1/4"	1/4"	1/4"	1-1/2"
LR94012	1/4"	3/8"	1/4"	1-1/2"



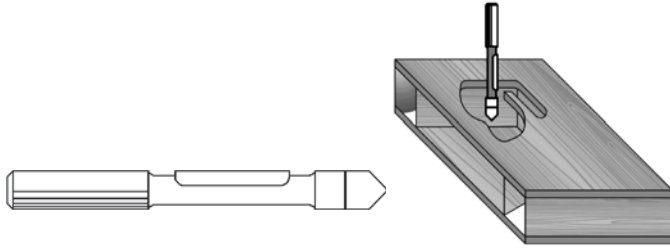
Flush & Bevel Trimming Bit, Solid Carbide

Part Number	Cutting Dia	Cutting Length	Shank Dia	Bevel	Overall Length
LR94008	1/4"	3/8"	1/4"	0+7 Degree	1-1/2"



Round Bottom Veining Bits, Solid Carbide

Part Number	Cutting Dia	Cutting Length	Shank Dia	Radius	Overall Length
LR89200	1/8"	1/4"	1/4"	1/16"	1-1/2"
LR89202	3/16"	1/4"	1/4"	3/32"	1-1/2"
LR89204	1/4"	11/32"	1/4"	1/8"	1-1/2"



HSS Straight Edge Panel Bits

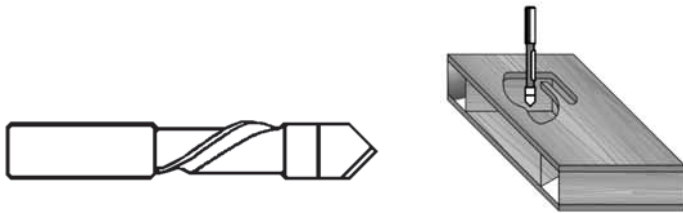
Part Number	Cutting Dia	Cutting Length	Shank Dia	Overall Length
-------------	-------------	----------------	-----------	----------------

Single Flute

LR82000	1/4"	3/4"	1/4"	2-5/8"
LR82006	5/16"	3/4"	1/4"	2-5/8"
LR82010	3/8"	3/4"	3/8"	2-5/8"
LR82012	3/8"	7/8"	3/8"	3"
LR82016	1/2"	1"	1/2"	3-1/2"

Double Flute

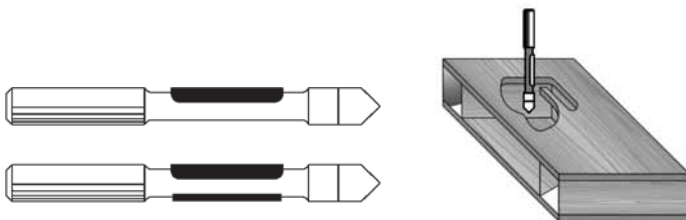
LR82100	1/4"	3/4"	1/4"	2-5/8"
LR82106	3/8"	7/8"	3/8"	2-3/4"



HSS Single Edge Downcut Panel Pilots

Part Number	Cutting Dia	Cutting Length	Shank Dia	Overall Length
-------------	-------------	----------------	-----------	----------------

LR82300	1/4"	3/4"	1/4"	2-5/8"
LR82304	3/8"	7/8"	3/8"	3-1/2"
LR82306	1/2"	1-3/4"	1/2"	4-1/2"



Carbide Tipped Straight Edge Panel Bits

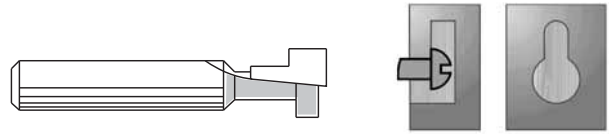
Part Number	Cutting Dia	Cutting Length	Shank Dia	Overall Length
-------------	-------------	----------------	-----------	----------------

Single Flute

LR90000	1/4"	3/4"	1/4"	2-5/8"
LR90004	3/8"	1"	3/8"	2-7/8"
LR90008	1/2"	1-3/16"	1/2"	3-1/2"
LR90012	1/2"	2"	1/2"	4-3/4"

Double Flute

LR90030	3/8"	1"	1/4"	2-7/8"
LR90034	3/8"	1"	3/8"	2-7/8"
LR90038	1/2"	1-3/16"	1/2"	3-1/2"
LR90042	1/2"	2"	1/2"	4-3/4"



Key Hole Bits

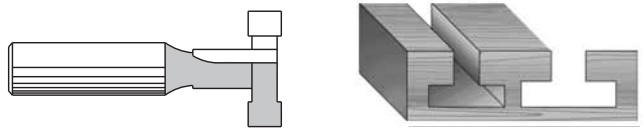
Part Number	Cutting Dia	Cutting Length	Shank Dia	Neck Dia
-------------	-------------	----------------	-----------	----------

Carbide Tipped, 1 Flute

LR83450	3/8"	3/8"	1/4"	3/16"
LR83452	1/2"	3/8"	1/4"	5/16"

Solid Carbide, 2 Flutes

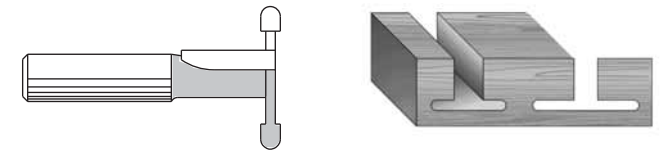
LR89452	25/64"	3/8"	1/4"	3/16"
---------	--------	------	------	-------



T-Slot Bits, 2 Flutes (Straight)

Part Number	Large Dia	Small Dia	Cutting Length	Shank Dia	Overall Length
-------------	-----------	-----------	----------------	-----------	----------------

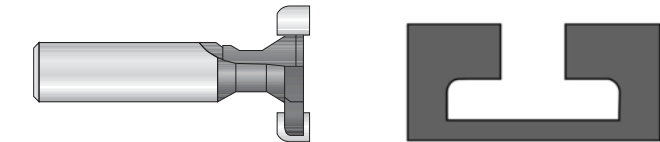
LR89455	1-3/32"	3/8"	5/16"	1/2"	2-5/8"
LR89457	1-3/32"	3/8"	5/16"	3/8"	2-3/8"
LR89456	1-3/8"	1/2"	3/8"	1/2"	2-9/16"



T-Slot Bits, 2 Flutes (Radius)

Part Number	Large Dia	Small Dia	Cutting Length	Shank Dia	Overall Length	Radius
-------------	-----------	-----------	----------------	-----------	----------------	--------

LR89458A	1-1/8"	7/16"	5/32"	1/2"	2-1/16"	5/32"
LR89458	1-1/8"	7/16"	5/32"	3/8"	2-5/32"	5/32"
LR89459	1-39/64"	3/8"	5/32"	1/2"	2-1/16"	5/32"



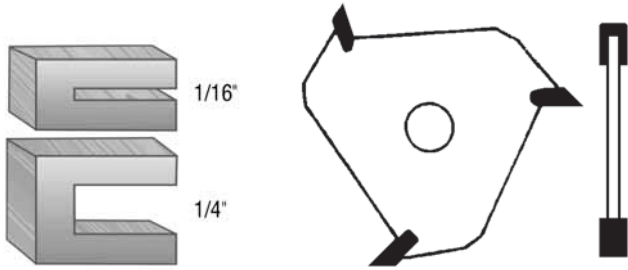
LR89453	1-3/16"	13/32"	21/32"	1/2"	2-3/8"
---------	---------	--------	--------	------	--------



T-Slot Bits, 2 Flutes (Bevelled)

Part Number	Large Dia	Small Dia	Cutting Length	Shank Dia	Overall Length
-------------	-----------	-----------	----------------	-----------	----------------

LR89454	1-3/8"	11/32"	17/32"	1/2"	2"
---------	--------	--------	--------	------	----



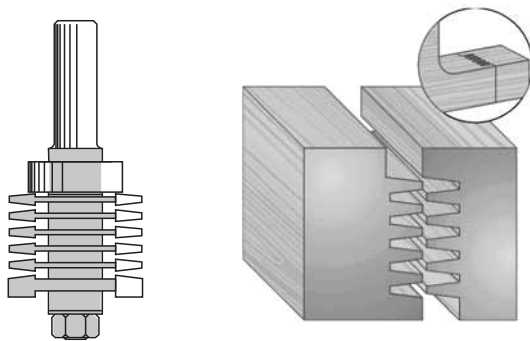
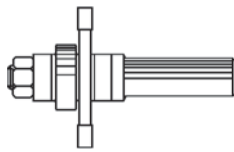
Slotting Cutters, 3 Wings

Part Number	Cutting Dia	Spindle Dia	Kerf	Depth of Cut
LR92321	1-7/8"	5/16"	1/16"	1/2"
LR92331	1-7/8"	5/16"	.065"	1/2"
LR92341	1-7/8"	5/16"	.070"	1/2"
LR92361	1-7/8"	5/16"	.075"	1/2"
LR92351	1-7/8"	5/16"	5/64"	1/2"
LR92371	1-7/8"	5/16"	.085"	1/2"
LR92391	1-7/8"	5/16"	3/32"	1/2"
LR92401	1-7/8"	5/16"	.110"	1/2"
LR92411	1-7/8"	5/16"	1/8"	1/2"
LR92421	1-7/8"	5/16"	.140"	1/2"
LR92431	1-7/8"	5/16"	5/32"	1/2"
LR92441	1-7/8"	5/16"	3/16"	1/2"
LR92461	1-7/8"	5/16"	1/4"	1/2"

2 & 4 wing cutters available upon request

Parts for Cutter Assemblies:

- 1/4" Shank: LR95100
- 3/8" Shank: LR95102
- 1/2" Shank: LR95104
- 1/2" CNC Shank: LR95110
- Ball Bearing: LR95008

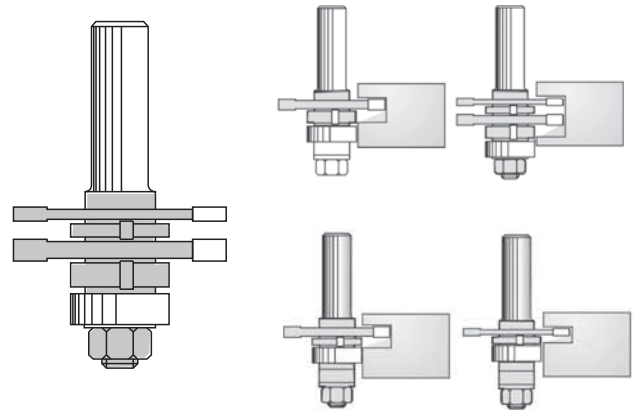


Finger Joint Bit, 3 Wings

Part Number	Cutting Dia	Cutting Length	Shank Dia	Overall Length
LR85733	1-9/16"	1-3/16"	1/2"	3-3/4"

Replacement Parts:

- Finger Slot Cutter: LR85734 - 5pcs
- Abutting Edge Cutter: LR85735 - 1pc
- Arbor & Nut 1/2": LR95105A
- Ball Bearing: LR95010
- Spacers: LR95308 (3.4mm) 6pcs
- Washers: LR95306 (1.0mm) 2pcs
- Shims: LR95304 (0.5mm) 1pc
- LR95302 (0.1mm) 10pcs

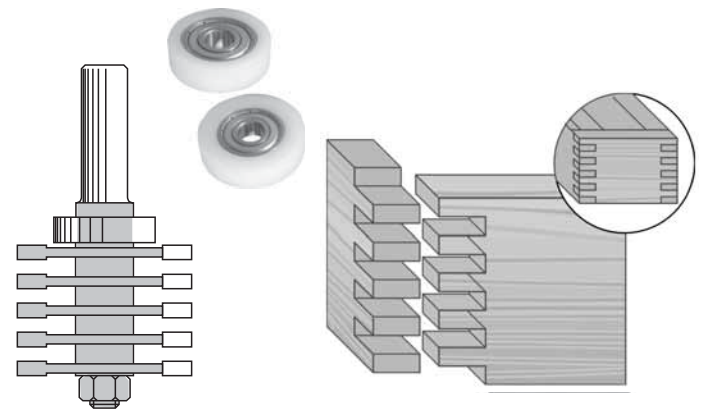


Multipurpose Slotting Cutters Set, 2 Wings

Part Number	Cutting Dia	Spindle Dia	Shank Dia	Depth of Cut
LR92500	1-7/8"	5/16"	1/2"	1/2"

Complete Set consists of:

- Four 2 wing slotting cutters marked:
 - Cutter "A" (3.2mm) LR92501A
 - Cutter "B" (4.0mm) LR92501B
 - Cutter "C" (4.8mm) LR92501C
 - Cutter "D" (6.3mm) LR92501D
- Arbor & Nut 1/2": LR95105
- Ball Bearing: LR95008
- Spacers: LR95309 (6.0mm) 3pcs
- Washers: LR95306 (1.0mm) 5pcs
- Shims: LR95304 (0.5mm) 4pcs
- LR95302 (0.1mm) 10pcs

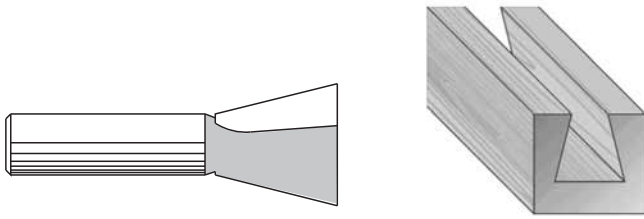


Box Joint Set, 3 Wings

Part Number	Cutting Dia	Cutting Length	Shank Dia	Overall Length
LR92737	1-7/8"	1-3/8"	1/2"	3-3/4"

Replacement Parts:

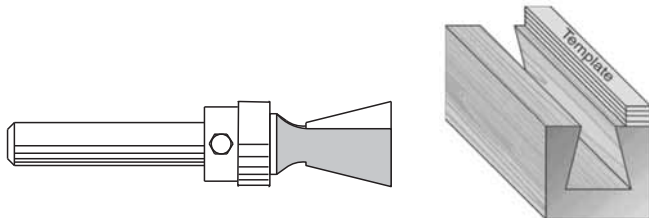
- Slotting Cutter: LR92431 - 5pcs
- Arbor & Nut 1/2": LR95105A
- Ball Bearings: LR95023, LR95025, LR95026
- Spacers: LR95311 (5.5mm) 4pcs
- Washers: LR95306 (1.0mm) 1pc
- Shims: LR95304 (0.5mm) 1pc



Dovetail Bits, 2 Flutes

Part Number	Cutting Dia	Cutting Length	Shank Dia	Overall Length	Degree Ea Side
LR89400A	13/64"	5/32"	1/4"	2-3/8"	25 Degree
LR89400B	1/4"	5/16"	1/4"	2-1/2"	7 Degree
LR89400	5/16"	3/8"	1/4"	2-1/2"	9 Degree
LR89409	5/16"	3/8"	1/2"	2-1/2"	9 Degree
LR89402	3/8"	3/8"	1/4"	1-5/8"	9 Degree
LR89410	3/8"	3/8"	1/2"	1-5/8"	9 Degree
LR89406	3/8"	3/8"	3/8"	2"	9 Degree
LR89404	1/2"	1/2"	1/4"	1-3/4"	14 Degree
LR89412	1/2"	1/2"	1/2"	2-3/16"	14 Degree
LR89413	17/32"	1/2"	1/4"	1-3/4"	14 Degree
LR89414	5/8"	5/8"	1/2"	2-3/8"	7 Degree
LR89415	5/8"	7/8"	1/2"	2-1/16"	7 Degree
LR89416	3/4"	7/8"	1/2"	2-1/2"	7 Degree
LR89417	3/4"	3/4"	1/2"	2-1/2"	14 Degree
LR89418	7/8"	7/8"	1/2"	2-5/8"	7 Degree
LR89419	7/8"	7/8"	1/2"	2-5/8"	14 Degree
LR89420	1"	1"	1/2"	2-5/8"	14 Degree
LR89421	1-1/8"	3/4"	1/2"	2-3/8"	7 Degree
LR89422	1-1/4"	1"	1/2"	2-5/16"	14 Degree

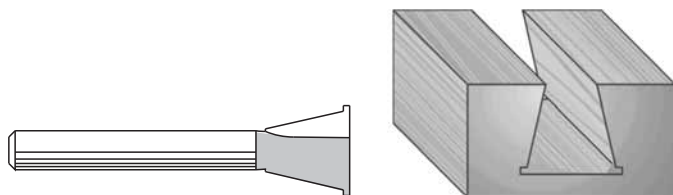
Add "L" to end of part number for **LEFT HAND** rotation



Dovetail Bit, with Bearing, 2 Flutes

Part Number	Cutting Dia	Cutting Length	Shank Dia	Overall Length	Degree Ea Side
LR94272	1/2"	1/2"	1/4"	2-1/4"	14 Degree

Replacement Bearing: LR95004A



Dovetail Bit, with Spurs, 2 Flutes

Part Number	Cutting Dia	Cutting Length	Shank Dia	Overall Length	Degree Ea Side
LR89423	9/16"	17/32"	1/4"	2-3/16"	14 Degree

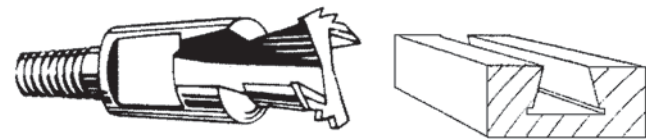


Carbide Tipped Auto Dovetail Bits

Threaded shank for: Wyson-Miles, Dodds or Bell machines

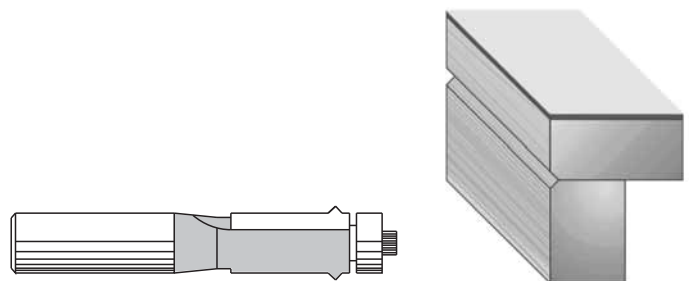
LR89500 (Series)

NOTE: Available Upon Request Only



Carbide Tipped Auto Dovetail Bits

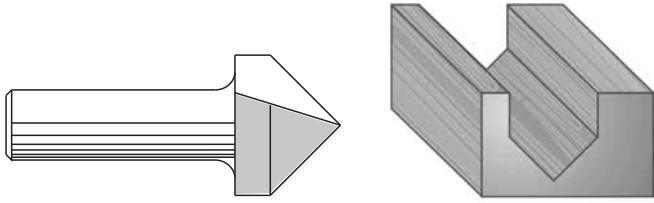
Part Number	Large Dia	Tail Length	Shank Dia
High Speed Steel			
LR89541	1/2"	3/8"	3/8-20 Thread
Carbide Tipped			
LR89641	1/2"	3/8"	3/8-20 thread



Flush Trim "V" Groove Bits, with Bearing, 2 Flutes

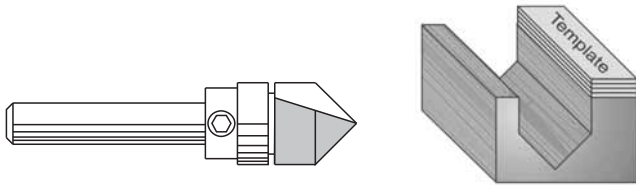
Part Number	Cutting Dia	Cutting Length	Shank Dia	Overall Length
LR93034	1/2"	1"	1/4"	2-5/8"
LR93038	1/2"	1"	1/2"	3-1/4"

Replacement Bearing: LR95004



"V" Grooving Bits, 2 Flutes

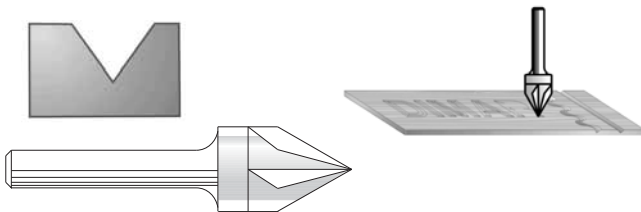
Part Number	Cutting Dia	Cutting Length	Shank Dia	Overall Length	Degree
LR89302	3/8"	3/8"	1/4"	1-3/4"	90 Degree
LR89302A	3/8"	1/2"	1/2"	1-3/4"	90 Degree
LR89303	1/2"	1/2"	1/4"	1-3/4"	90 Degree
LR89303A	1/2"	1/2"	1/2"	2-1/8"	90 Degree
LR89304	5/8"	1/2"	1/4"	1-3/4"	90 Degree
LR89304A	5/8"	1/2"	1/2"	2-1/8"	90 Degree
LR89305	3/4"	1/2"	1/4"	1-3/4"	90 Degree
LR89306	3/4"	5/8"	1/2"	2-1/4"	90 Degree
LR89309	7/8"	5/8"	1/4"	2"	90 Degree
LR89309A	7/8"	5/8"	1/2"	2-1/4"	90 Degree
LR89307	1"	5/8"	1/4"	1-3/4"	90 Degree
LR89308	1"	3/4"	1/2"	2-3/8"	90 Degree
LR89310	1-1/4"	1"	1/2"	2-1/2"	90 Degree
LR89312	1-1/2"	1-1/4"	1/2"	2-7/8"	90 Degree
LR89314	1-3/4"	1-1/2"	1/2"	3"	90 Degree
LR89316	2"	1-3/4"	1/2"	3"	90 Degree
LR89318	1/2"	1/2"	1/4"	1-3/4"	60 Degree
LR89320	1/2"	1/2"	1/4"	1-3/4"	70 Degree



"V" Grooving Bits, with Bearing, 2 Flutes

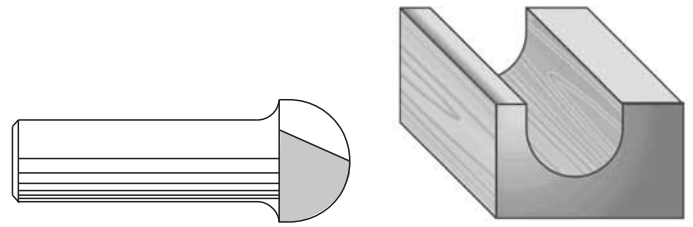
Part Number	Cutting Dia	Cutting Length	Shank Dia	Overall Length	Degree
LR94268	1/2"	1/2"	1/4"	2"	90 Degree

Replacement Bearing: LR95004A



Solid Carbide Engraving Bit

Part Number	Cutting Dia	Cutting Length	Shank Dia	Overall Length	Degree
LR89340	9/16"	7/8"	1/4"	2-1/4"	60 Degree

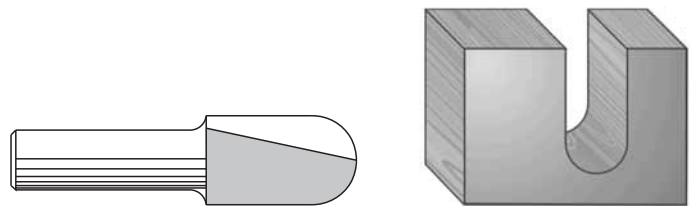


Core Box Bits (Round Nose), 2 Flutes

Part Number	Cutting Dia	Radius	Cutting Length	Shank Dia	Overall Length
-------------	-------------	--------	----------------	-----------	----------------

Shallow Profile

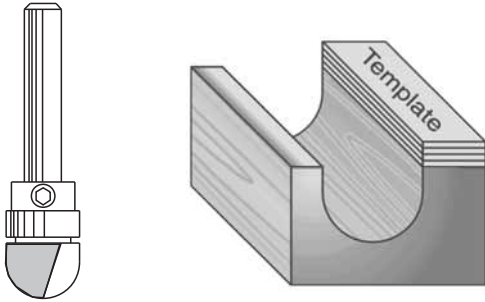
LR89200A	1/8"	1/16"	3/8"	1/4"	1-3/4"
LR89202A	3/16"	3/32"	1/2"	1/4"	1-3/4"
LR89205	5/16"	5/32"	3/8"	1/4"	1-1/2"
LR89206	3/8"	3/16"	1/4"	1/4"	1-1/2"
LR89206A	3/8"	3/16"	1/4"	1/2"	1-7/8"
LR89207	7/16"	7/32"	5/8"	1/4"	1-3/4"
LR89207A	7/16"	7/32"	5/8"	1/2"	2-3/8"
LR89208	1/2"	1/4"	5/16"	1/4"	1-1/2"
LR89208A	1/2"	1/4"	5/16"	1/2"	2"
LR89210	5/8"	5/16"	3/8"	1/4"	1-1/2"
LR89210A	5/8"	5/16"	3/8"	1/2"	2"
LR89212	3/4"	3/8"	1/2"	1/4"	1-1/2"
LR89212A	3/4"	3/8"	1/2"	1/2"	2"
LR89211	7/8"	7/16"	5/8"	1/4"	1-3/4"
LR89211A	7/8"	7/16"	5/8"	1/2"	2"
LR89213	1"	1/2"	5/8"	1/4"	1-3/4"
LR89213A	1"	1/2"	5/8"	1/2"	2-3/16"
LR89215	1-1/4"	5/8"	3/4"	1/2"	2-3/16"



Part Number	Cutting Dia	Radius	Cutting Length	Shank Dia	Overall Length
-------------	-------------	--------	----------------	-----------	----------------

Deep Profile

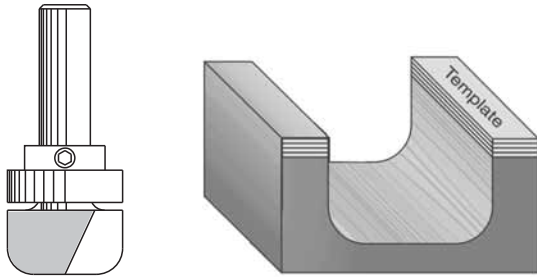
LR89204A	1/4"	1/8"	1/2"	1/4"	1-3/4"
LR89214	3/8"	3/16"	1"	1/2"	2-3/4"
LR89216	1/2"	1/4"	1-1/4"	1/2"	2-3/4"
LR89218	9/16"	9/32"	1-1/4"	1/2"	2-3/4"
LR89220	5/8"	5/16"	1-1/4"	1/2"	2-3/4"
LR89222	3/4"	3/8"	1-1/4"	1/2"	2-3/4"
LR89224	7/8"	7/16"	1-1/4"	1/2"	2-3/4"
LR89226	1"	1/2"	1-1/4"	1/2"	2-3/4"
LR89226A	1-1/4"	5/8"	1-1/4"	1/2"	2-3/4"
LR89226B	1-1/2"	3/4"	1-1/4"	1/2"	2-3/4"
LR89227	2"	1"	1-1/4"	1/2"	2-3/4"



Core Box Bits, with Bearing, 2 Flutes

Part Number	Cutting Dia	Radius	Cutting Length	Shank Dia	Overall Length
LR94270	1/2"	1/8"	1/2"	1/4"	2"

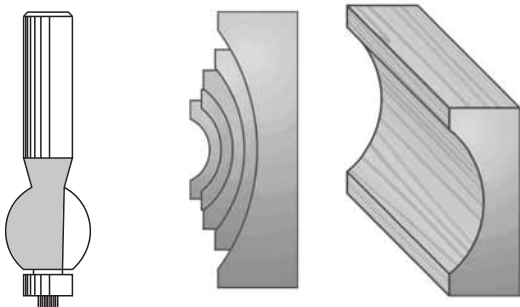
Replacement Bearing: LR95004A



Cove Plunge Type Bits, with Centre Bearing, 2 Flutes

Part Number	Cutting Dia	Radius	Cutting Length	Shank Dia	Overall Length
A LR89280	1/2"	1/8"	1/2"	1/4"	2-1/8"
B LR89281	3/4"	1/4"	5/8"	1/4"	2-5/16"
C LR89282	3/4"	1/4"	5/8"	1/2"	2-5/16"
D LR89283	1-1/8"	1/4"	5/8"	1/2"	2-5/8"

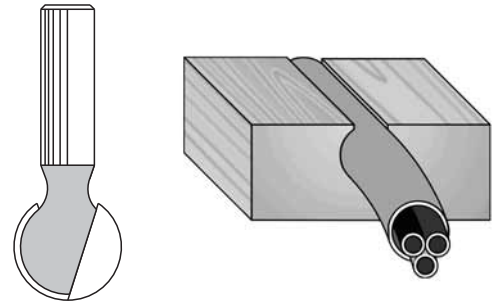
Replacement Bearing: (A) LR95004A (B) LR95006 (C) LR95006C (D) LR95009



Convex Beading Bits, 2 Flutes

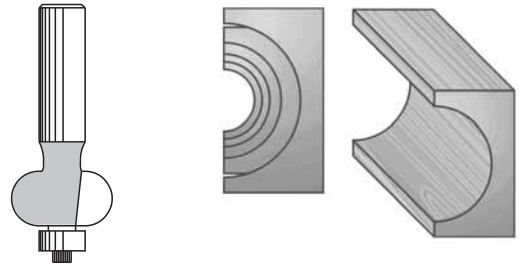
Part Number	Cutting Dia	Radius	Cutting Length	Shank Dia	Overall Length
LR89260	3/4"	3/16"	3/8"	1/2"	2-5/8"
LR89260A	3/4"	5/16"	1/2"	1/2"	2-3/4"
LR89261	7/8"	15/32"	3/4"	1/2"	3-1/16"
LR89261A	7/8"	3/4"	1"	1/2"	3-3/8"
LR89262	1"	1-1/4"	1-1/2"	1/2"	3-7/8"

Replacement Bearing: LR95004



Ball Grooving Bits, 2 Flutes

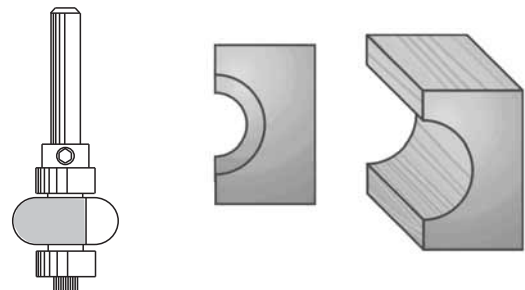
Part Number	Large Dia	Radius	Small Dia	Shank Dia	Overall Length
LR89271	1/2"	1/4"	1/4"	1/2"	2-1/4"
LR89272	5/8"	5/16"	9/32"	1/2"	2-7/16"
LR89273	3/4"	3/8"	5/16"	1/2"	2-1/2"
LR89274	7/8"	7/16"	5/16"	1/2"	2-5/8"
LR89275	1"	1/2"	11/32"	1/2"	2-3/4"
LR89276	1-1/8"	9/16"	13/32"	1/2"	2-7/8"
LR89277	1-1/4"	5/8"	7/16"	1/2"	3"



Convex Beading Bits, 2 Flutes

Part Number	Cutting Dia	Radius	Cutting Length	Shank Dia	Overall Length
LR89264	13/16"	5/32"	5/16"	1/4"	1-7/8"
LR89265	7/8"	3/16"	3/8"	1/4"	2"
LR89266	31/32"	15/64"	15/32"	1/4"	2"
LR89268	1-1/4"	25/64"	25/32"	1/2"	3"

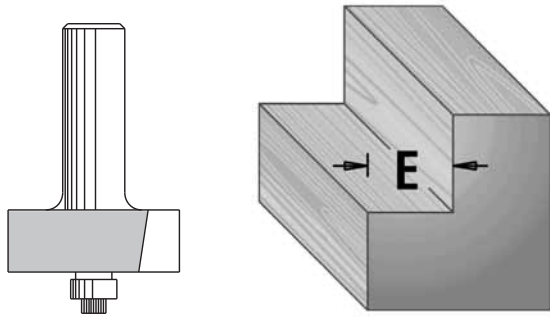
Replacement Bearing: LR95004



Convex Beading Bits, with Centre Bearing, 2 Flutes

Part Number	Cutting Dia	Radius	Cutting Length	Shank Dia	Overall Length
LR89269	3/4"	1/8"	1/4"	1/4"	2-1/4"
LR89270	7/8"	13/64"	25/64"	1/4"	2-3/8"

Replacement Bearings: Center LR95004A Top LR95004



**Rabbeting Bits,
with 1/2" & 3/8" Bearing, 2 Flutes**

Part Number	Cutting Dia	Rabbet Depth(E)	Cutting Length	Shank Dia	Overall Length
-------------	-------------	-----------------	----------------	-----------	----------------

Depth of Rabbet 3/8" & 7/16" (1/2" Bearing)

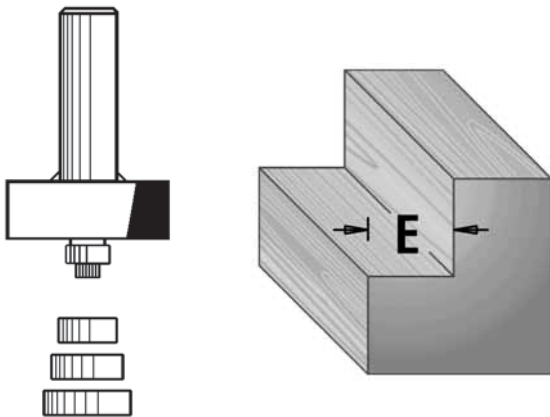
LR91100	1-1/4"	3/8"	1/2"	1/4"	2"
LR91104	1-1/4"	3/8"	1/2"	1/2"	2-3/8"
LR91101	1-3/8"	7/16"	1/2"	1/4"	2"
LR91102	1-3/8"	7/16"	1/2"	1/2"	2-3/8"

Replacement Bearing: LR95004

Depth of Rabbet 7/16" & 1/2" (3/8" Bearing)

LR91103	1-1/4"	7/16"	1/2"	1/4"	2"
LR91105	1-1/4"	7/16"	1/2"	1/2"	2-3/8"
LR91107	1-3/8"	1/2"	1/2"	1/4"	2"
LR91109	1-3/8"	1/2"	1/2"	1/2"	2-3/8"

Replacement Bearing: LR95000



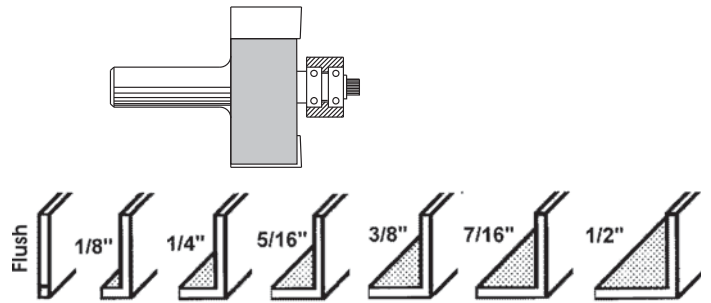
**Rabbeting Cutter Sets,
with 4 Different Rabbets, 2 Flutes**

Part Number	Cutting Dia	Cutting Length	Shank Dia	Overall Length
LR91106	1-3/8"	1/2"	1/4"	2"
LR91106A	1-3/8"	1/2"	1/2"	2-3/8"

Replacement Parts:

	Bearing:	Washer:	Spring Washer:	Screw:
1/2" Rabbet:	LR95000	LR95206	LR95252	580.HC#07
7/16" Rabbet:	LR95004	LR95202	LR95252	580.HC#07
3/8" Rabbet:	LR95005A	LR95204	LR95252	580.HC#07
5/16" Rabbet:	LR95006A	LR95204	LR95252	580.HC#07

Allen Key: 582-KEY-3/32



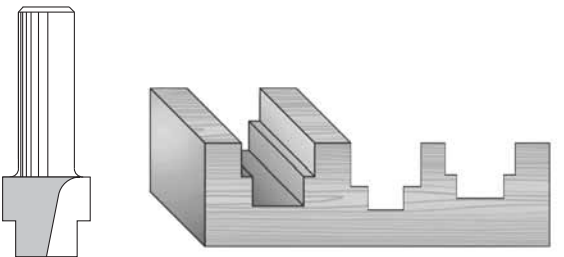
**Rabbeting Cutter Sets,
with 7 Different Rabbets, 2 Flutes**

Part Number	Cutting Dia	Cutting Length	Shank Dia	Overall Length
LR91108	1-3/8"	1/2"	1/4"	2"
LR91108A	1-3/8"	1/2"	1/2"	2-3/8"

Replacement Parts:

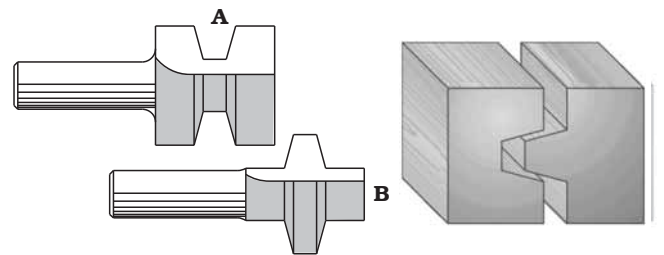
	Bearing:	Washer:	Spring Washer:	Screw:
1/2" Rabbet:	LR95000	LR95206	LR95252	580.HC#07
7/16" Rabbet:	LR95004	LR95202	LR95252	580.HC#07
3/8" Rabbet:	LR95005A	LR95204	LR95252	580.HC#07
5/16" Rabbet:	LR95006A	LR95204	LR95252	580.HC#07
1/4" Rabbet:	LR95008D	LR95204	LR95252	580.HC#07
1/8" Rabbet:	LR95009B	LR95204	LR95252	580.HC#07
Flush:	LR95010B	LR95204	LR95252	580.HC#07

Allen Key: 582-KEY-3/32



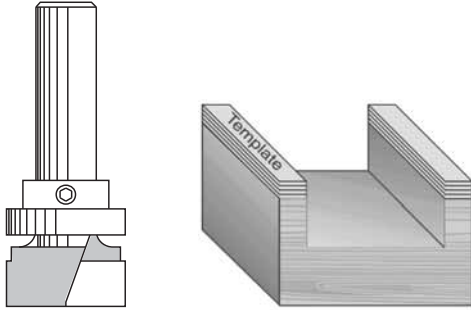
Stepped Rabbeting Bits, 2 Flutes

Part Number	Large Dia	Small Dia	Cutting Length	Shank Dia	Overall Length
LR91111	3/4"	3/8"	3/4"	1/4"	1-7/8"
LR91112	3/4"	1/2"	5/8"	1/4"	2"
LR91113	7/8"	9/16"	11/16"	1/2"	2-1/4"



Bevel Glue Joint Bits, 2 Flutes

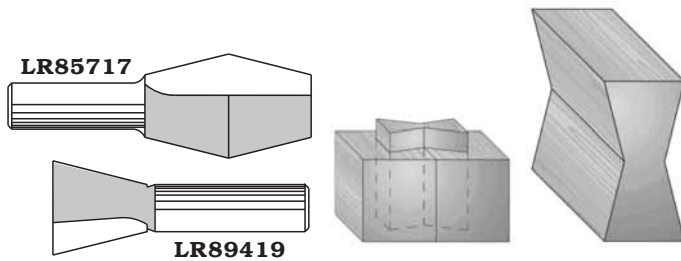
Part Number	Large Dia	Small Dia	Cutting Length	Degree	Shank Dia	Overall Length
LR85719A	1-1/4"	9/16"	1-1/4"	15°	1/2"	2-3/4"
LR85719B	1-1/4"	9/16"	1-1/4"	15°	1/2"	2-3/4"



Bottom Cleaning Straight Bits, 2 Flutes

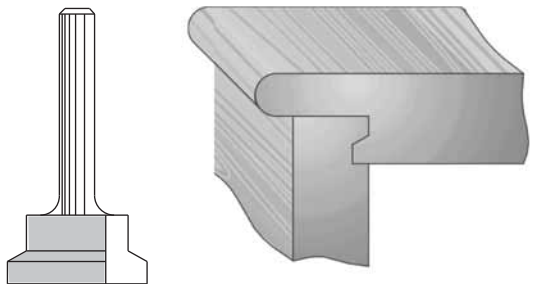
Part Number	Cutting Dia	Cutting Length	Shank Dia	Overall Length
A LR89285	3/4"	7/16"	1/4"	2-3/16"
B LR89286	1"	7/16"	1/2"	2-1/2"
C LR89287	1-1/2"	5/8"	1/2"	2-3/4"

Replacement Bearing: (A) LR95006 (B) LR95008E (C) LR95008B



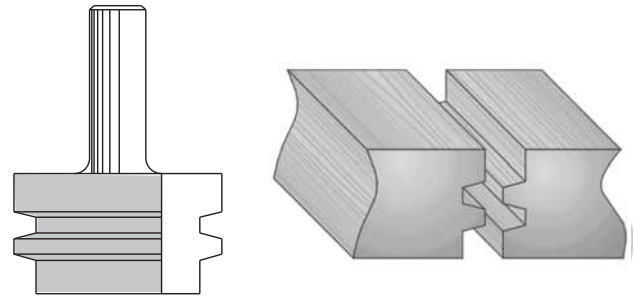
Spline Glue Joint Bits, 2 Flutes

Part Number	Cutting Dia	Cutting Length	Degree	Shank Dia	Overall Length
LR85717	1-7/64"	1-13/16"	14 Degree	1/2"	3-5/16"
LR89419	7/8"	7/8"	14 Degree	1/2"	2-5/8"



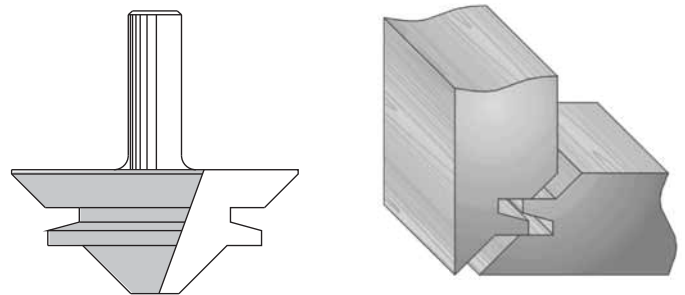
Locking Joint Bits, 2 Flutes

Part Number	Cutting Dia	Cutting Length	Shank Dia	Overall Length
LR85721	3/4"	1/2"	1/4"	1-7/8"
LR85722	1"	1/2"	1/4"	1-7/8"
LR85722B	1"	1/2"	1/2"	1-7/8"



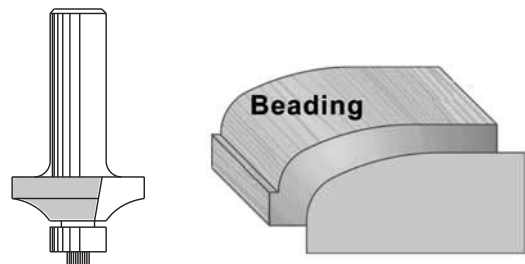
Glue Joint Bit, 2 Flutes

Part Number	Cutting Dia	Cutting Length	Shank Dia	Overall Length
LR85725	1-29/64"	1-1/8"	1/2"	2-5/8"



Mitre Lock Bits, 2 Flutes

Part Number	Cutting Dia	Cutting Length	Max Wood Depth	Degree	Shank Dia	Overall Length
LR85736A	1-1/2"	1/2"	13/32"	45°	1/4"	1-5/8"
LR85736B	1-3/4"	3/4"	21/32"	45°	1/2"	2-1/4"
LR85736	2-23/32"	1-3/16"	1-1/16"	45°	1/2"	2-11/16"

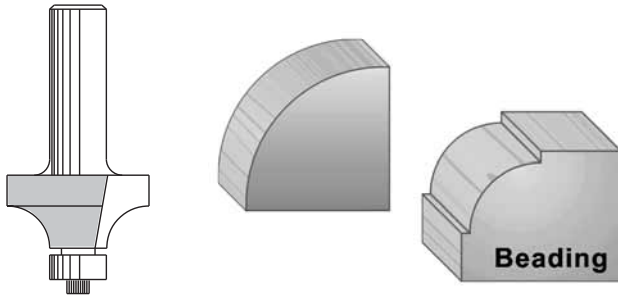


Thumb Nail Bits, with Bearing, 2 Flutes

Part Number	Cutting Dia	Cutting Length	Radius	Shank Dia	Overall Length
LR91228	1-3/16"	3/8"	15/32"	1/4"	2-1/16"
LR91230	1-3/16"	3/8"	15/32"	1/2"	2-1/16"
LR91232	2-1/2"	11/16"	1-7/8"	1/2"	2-1/2"

Replacement Bearings: LR95004

To achieve beading cuts add B to end of Part Number
Replacement Bearings: LR95000 (beading cut)



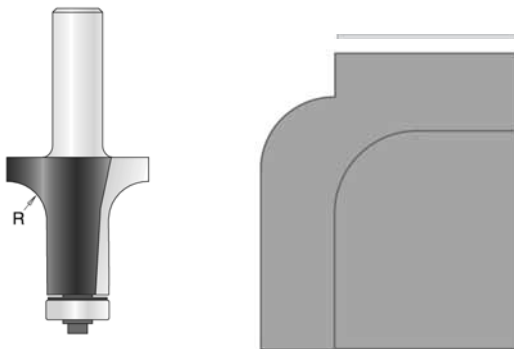
Rounding Over Bits, with Bearing, 2 Flutes

Part Number	Cutting Dia	Cutting Length	Radius	Shank Dia	Overall Length
LR91198	5/8"	5/16"	1/16"	1/4"	1-3/4"
LR91209	5/8"	5/16"	1/16"	1/2"	2-3/16"
LR91199	3/4"	3/8"	1/8"	1/4"	1-15/16"
LR91211	3/4"	3/8"	1/8"	1/2"	2-5/16"
LR91201	3/4"	3/8"	5/32"	1/4"	1-15/16"
LR91203	3/4"	3/8"	5/32"	1/2"	2-5/16"
LR91200	7/8"	1/2"	3/16"	1/4"	1-15/16"
LR91210	7/8"	1/2"	3/16"	1/2"	2-5/16"
LR91202	1"	1/2"	1/4"	1/4"	1-15/16"
LR91212	1"	1/2"	1/4"	1/2"	2-5/16"
LR91204	1-1/8"	1/2"	5/16"	1/4"	1-15/16"
LR91214	1-1/8"	1/2"	5/16"	1/2"	2-5/16"
LR91206	1-1/4"	5/8"	3/8"	1/4"	2-1/16"
LR91216	1-1/4"	5/8"	3/8"	1/2"	2-7/16"
LR91208	1-1/2"	3/4"	1/2"	1/4"	2-3/16"
LR91218	1-1/2"	3/4"	1/2"	1/2"	2-9/16"
LR91219	1-3/4"	7/8"	5/8"	1/2"	2-5/8"
LR91220	2"	1"	3/4"	1/2"	2-3/4"
LR91221	2-1/4"	1-1/8"	7/8"	1/2"	2-7/8"
LR91222	2-1/2"	1-1/4"	1"	1/2"	3"
LR91223	2-3/4"	1-3/8"	1-1/8"	1/2"	3-1/4"
LR91224	3"	1-1/2"	1-1/4"	1/2"	3-1/4"
LR91225	3-1/4"	1-9/16"	1-3/8"	1/2"	3-1/2"
LR91226	3-1/2"	1-3/4"	1-1/2"	1/2"	3-3/4"

Replacement Bearings: LR95004

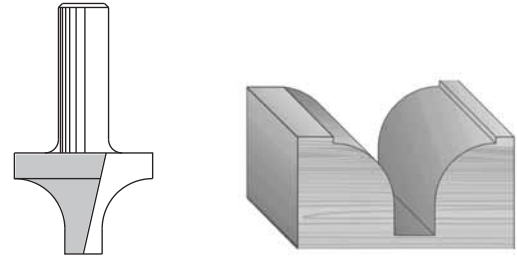
To achieve beading cuts add B to end of Part Number

Replacement Bearings: LR95000 (beading cut)



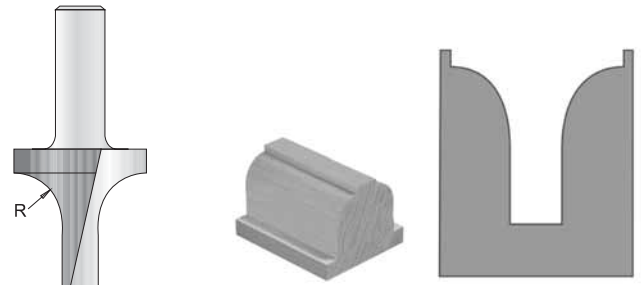
Rounding Over Bit with Bearing, 2 Flutes

Part Number	Cutting Dia	Cutting Length	Radius	Shank Dia	Overall Length
LR89111	1-7/16"	1-3/8"	10mm	1/2"	3-1/4"



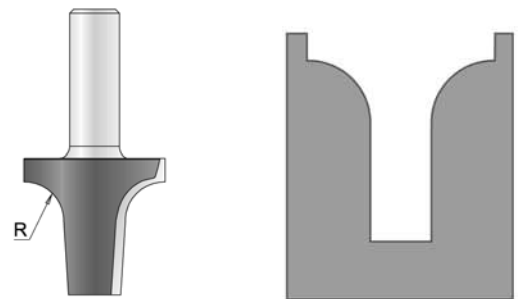
Plunge Type Rounding Over Bits, 2 Flutes

Part Number	Cutting Dia	Cutting Length	Radius	Shank Dia	Overall Length
LR89098	3/8"	5/16"	1/8"	1/4"	2"
LR89099	5/8"	5/16"	3/16"	1/2"	1-1/2"
LR89100	3/4"	1/2"	1/4"	1/4"	1-5/8"
LR89101	3/4"	1/2"	1/4"	1/2"	1-5/8"
LR89102	7/8"	9/16"	5/16"	1/2"	2-1/16"
LR89103	7/8"	9/16"	5/16"	1/4"	1-11/16"
LR89104	1"	5/8"	3/8"	1/2"	2-1/8"
LR89105	1"	5/8"	3/8"	1/4"	1-3/4"
LR89106	1-3/8"	1"	1/2"	1/2"	2-3/4"
LR89110	1-3/4"	1-1/4"	5/8"	1/2"	2-3/4"
LR89112	2"	1-7/16"	3/4"	1/2"	2-15/16"



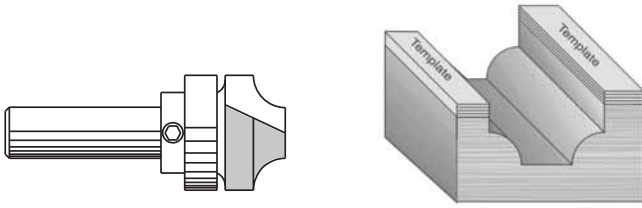
Plunge Type Rounding Over Bits, 2 Flutes with Boring Point (Corner Round)

Part Number	Cutting Dia	Cutting Length	Radius	Shank Dia	Overall Length
LR89107	7/8"	1-3/16"	1/8"	1/2"	2-23/32"
LR89108	1-3/16"	1-3/8"	1/4"	1/2"	2-7/8"
LR89109	1-11/32"	1-1/2"	3/16"	1/2"	3"



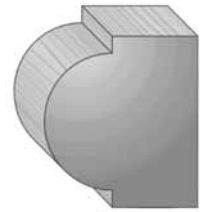
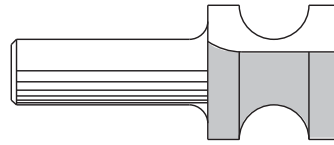
Plunge Type Corner Rounding Bit, 2 Flutes

Part Number	Cutting Dia	Cutting Length	Radius	Shank Dia	Overall Length
LR89097	1-3/16"	1-7/16"	5mm	1/2"	2-7/8"



Corner Rounding Plunge Type, with Centre Bearing, 2 Flutes

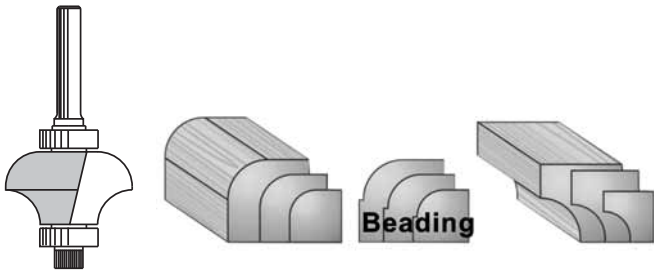
Part Number	Cutting Dia	Cutting Length	Radius	Shank Dia	Overall Length	Bearing
LR89115	1/2"	3/8"	1/8"	1/4"	1-7/8"	LR95004A
LR89116	3/4"	3/8"	1/8"	1/4"	2"	LR95006
LR89117	7/8"	1/2"	3/16"	1/4"	2-1/8"	LR95008
LR89118	1-1/8"	9/16"	5/16"	1/2"	2-1/8"	LR95009



Bull Nose Bits (Half Round), 2 Flutes

Part Number	Cutting Dia	Cutting Length	Radius	Shank Dia	O.A.L.	Size of Opening
LR89230A	17/32"	1/2"	5/64"	1/4"	1-5/8"	5/32"
LR89230	17/32"	1/2"	5/64"	1/2"	2-3/16"	5/32"
LR89232A	19/32"	1/2"	7/64"	1/4"	1-5/8"	7/32"
LR89232	19/32"	1/2"	7/64"	1/2"	2"	7/32"
LR89234A	21/32"	3/4"	9/64"	1/4"	1-7/8"	9/32"
LR89234	21/32"	3/4"	9/64"	1/2"	2-1/4"	9/32"
LR89236A	7/8"	3/4"	13/64"	1/4"	1-7/8"	13/32"
LR89236	7/8"	3/4"	13/64"	1/2"	2-1/4"	13/32"
LR89238A	1-1/32"	1"	17/64"	1/4"	2-1/8"	35/64"
LR89238	1-1/32"	1"	17/64"	1/2"	2-1/2"	35/64"
LR89239	1-1/16"	1"	5/16"	1/2"	2-1/2"	5/8"
LR89240	1-5/16"	1-3/8"	3/8"	1/2"	2-7/8"	3/4"
LR89242	1-11/16"	1-9/16"	1/2"	1/2"	3-1/16"	1"
LR89243	2"	2"	5/8"	1/2"	3-1/2"	1-1/4"
LR89244*	2-3/8"	2"	3/4"	1/2"	3-1/2"	1-1/2"

* This bit has 3 flutes and is suitable for Corian and woods

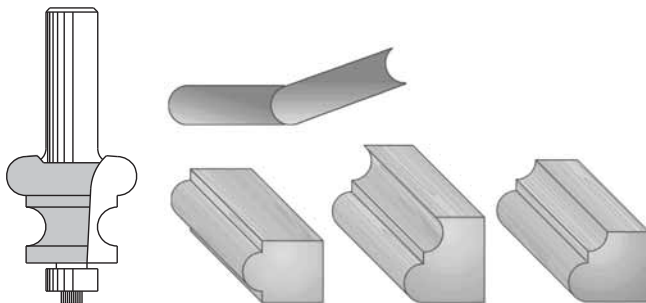


Matching Corner Round/Cove Bits, 2 Flutes

Part Number	Cutting Dia	Cutting Length	Radius	Shank Dia	Overall Length
LR89120	1-1/8"	35/65"	1/4"	1/4"	2-19/32"
LR89121	1-1/4"	43/64"	5/16"	1/4"	2-23/32"
LR89122	1-3/8"	51/64"	3/8"	1/4"	2-27/32"

Replacement Bearings: LR95005D

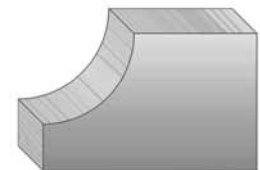
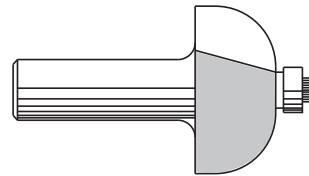
To achieve beading cuts change bottom bearing to LR95005E



Canoe Bits, with Bearing, 2 Flutes

Part Number	Cutting Dia	Cutting Length	Radius	Shank Dia	Overall Length
A LR89125	1"	5/8"	1/8"	1/4"	2-1/4"
A LR89126	1"	5/8"	1/8"	1/2"	2-5/8"
A LR89127	1-1/4"	1"	3/16"	1/4"	2-5/8"
A LR89128	1-1/4"	1"	3/16"	1/2"	2-7/8"
B LR89129	2"	1-1/4"	1/4"	1/2"	3-1/8"

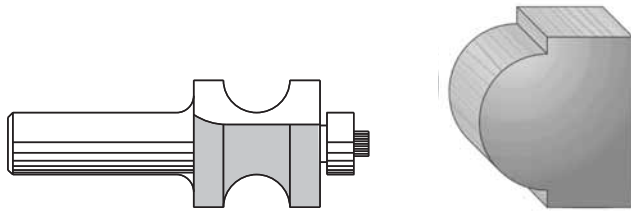
Replacement Bearing: (A) LR95004 (B) LR95005B



Cove Bits, with Bearing, 2 Flutes

Part Number	Cutting Dia	Cutting Length	Radius	Shank Dia	Overall Length
LR90992	1/2"	1/2"	1/16"	1/4"	2"
LR91005	1/2"	1/2"	1/16"	1/2"	2-3/8"
LR90994	5/8"	1/2"	1/8"	1/4"	2"
LR91005A	5/8"	1/2"	1/8"	1/2"	2-3/8"
LR91000A	3/4"	9/16"	3/16"	1/4"	2-1/16"
LR91006A	3/4"	9/16"	3/16"	1/2"	2-7/16"
LR91000	7/8"	9/16"	1/4"	1/4"	2-1/16"
LR91006	7/8"	9/16"	1/4"	1/2"	2-7/16"
LR91001	1"	9/16"	5/16"	1/4"	2-1/16"
LR91007	1"	9/16"	5/16"	1/2"	2-7/16"
LR91002	1-1/8"	9/16"	3/8"	1/4"	2-1/16"
LR91008	1-1/8"	9/16"	3/8"	1/2"	2-7/16"
LR91004	1-3/8"	3/4"	1/2"	1/4"	2-1/4"
LR91010	1-3/8"	3/4"	1/2"	1/2"	2-7/16"
LR91011	1-5/8"	3/4"	5/8"	1/2"	2-5/8"
LR91012	1-7/8"	1"	3/4"	1/2"	3"
LR91014	2-3/8"	1-1/4"	7/8"	1/2"	3-3/8"
LR91016	2-3/8"	1-1/4"	1"	1/2"	3-3/8"
LR91018	3"	1-1/2"	1-1/4"	1/2"	3-3/8"

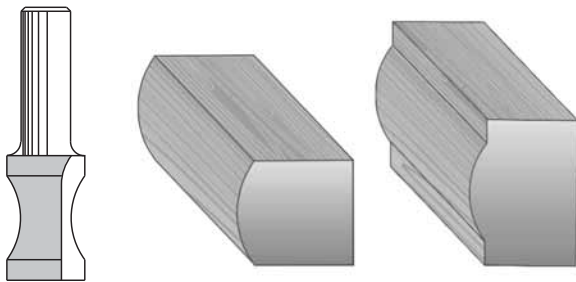
Replacement Bearing: LR95002



Bull Nose Bits (Half Round), with Bearing, 2 Flutes

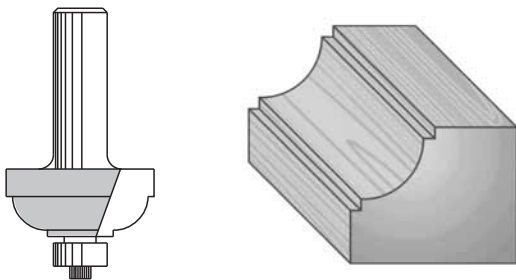
Part Number	Cut Dia	Cut Length	Rad	Shk Dia	O.A.L.	Size of Opening
LR89225	25/32"	3/4"	9/64"	1/2"	2-5/8"	17/64"
LR89225A	29/32"	3/4"	13/64"	1/2"	2-5/8"	25/64"
LR89228	1-1/32"	1"	17/64"	1/2"	3"	35/64"
LR89228A	1-3/8"	1-1/4"	3/8"	1/2"	3-5/16"	3/4"
LR89229	1-3/4"	1-9/16"	1/2"	1/2"	3-5/8"	1"
LR89229A	2"	2"	5/8"	1/2"	4"	1-1/4"

Replacement Bearing: LR95004



True Bull Nose Bits, 2 Flutes

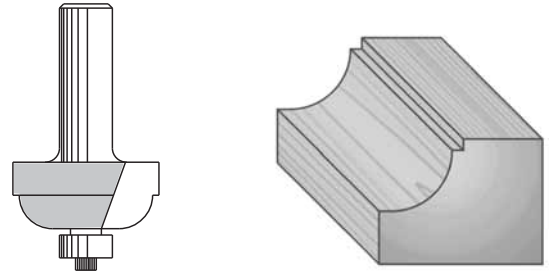
Part Number	Cut Dia	Cut Length	Rad	Shk Dia	O.A.L.	Size of Opening
LR89245	13/16"	1-1/4"	23/32"	1/4"	2-1/2"	7/8"
LR89246	13/16"	1-1/4"	23/32"	1/2"	2-3/4"	7/8"



Classic Panel Bits, with Bearing, 2 Flutes

Part Number	Cutting Dia	Cutting Length	Radius	Shank Dia	Overall Length
LR85770	1-1/8"	1/2"	3/16"	1/4"	2"
LR85772	1-1/8"	1/2"	3/16"	1/2"	2-3/8"
LR85774	1-3/8"	5/8"	5/16"	1/4"	2-1/8"
LR85776	1-3/8"	5/8"	5/16"	1/2"	2-1/2"

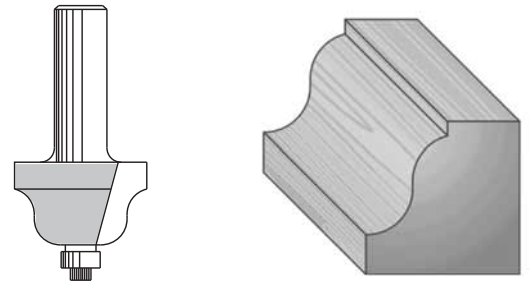
Replacement Bearing: LR95004



Flat Ogee Bits, with Bearing, 2 Flutes

Part Number	Cutting Dia	Cutting Length	Radius	Shank Dia	Overall Length
LR85780	1-1/8"	1/2"	3/16"	1/4"	2"
LR85782	1-1/8"	1/2"	3/16"	1/2"	2-3/8"
LR85784	1-3/8"	5/8"	5/16"	1/4"	2-1/8"
LR85786	1-3/8"	5/8"	5/16"	1/2"	2-1/2"

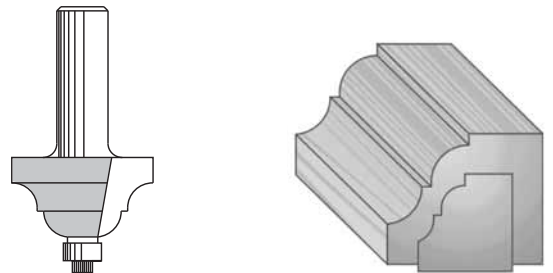
Replacement Bearing: LR95004



Roman Ogee Bits, with Bearing, 2 Flutes

Part Number	Cutting Dia	Cutting Length	Radius	Shank Dia	Overall Length
LR91400	1"	5/8"	5/32"	1/4"	2-1/16"
LR91404	1"	5/8"	5/32"	1/2"	2-7/16"
LR91402	1-3/8"	3/4"	1/4"	1/4"	2-1/4"
LR91406	1-3/8"	3/4"	1/4"	1/2"	2-5/8"

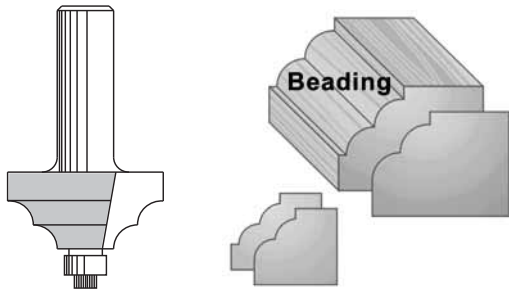
Replacement Bearing: LR95002



Roman Ogee Bits, with Bearing, 2 Flutes

Part Number	Cutting Dia	Cutting Length	Radius	Shank Dia	Overall Length
LR85790	1"	5/8"	5/32"	1/4"	2-1/16"
LR85792	1"	5/8"	5/32"	1/2"	2-7/16"
LR85794	1-3/8"	3/4"	1/4"	1/4"	2-1/4"
LR85796	1-3/8"	3/4"	1/4"	1/2"	2-5/8"

Replacement Bearing: LR95002

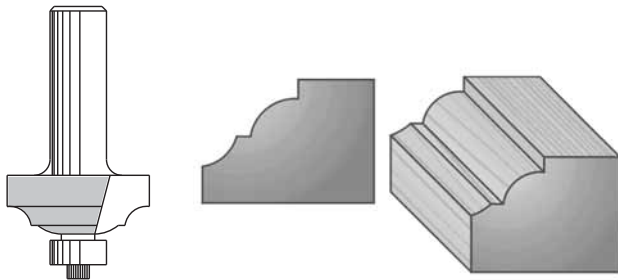


Classic Bits, with Bearing, 2 Flutes

Part Number	Cutting Dia	Cutting Length	Radius	Shank Dia	Overall Length
LR85760	1-1/8"	1/2"	5/32"	1/4"	2"
LR85762	1-1/8"	1/2"	5/32"	1/2"	2-3/8"
LR85764	1-3/8"	11/16"	7/32"	1/4"	2-3/16"
LR85766	1-3/8"	11/16"	7/32"	1/2"	2-9/16"

Replacement Bearing: LR95004

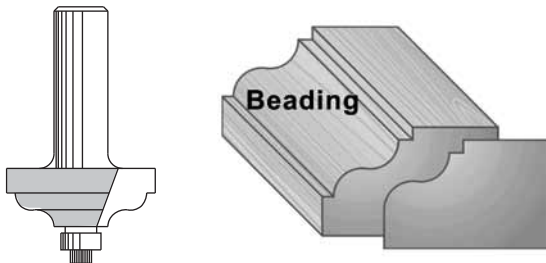
To achieve beading cuts change bearing to LR95000



Classic Bits, with Bearing, 2 Flutes

Part Number	Cutting Dia	Cutting Length	Radius 1	Radius 2	Shank Dia	Overall Length
LR85579	1-1/4"	1/2"	3/16"	1/16"	1/4"	2-1/16"
LR85580	1-1/4"	1/2"	3/16"	1/16"	1/2"	2-3/8"
LR85581	1-1/2"	5/8"	15/64"	9/64"	1/4"	2-3/32"
LR85582	1-1/2"	5/8"	15/64"	9/64"	1/2"	2-1/2"

Replacement Bearing: LR95004

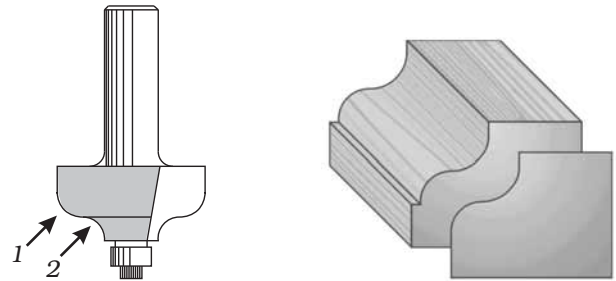


Ogee Fillet Bits, with Bearing, 2 Flutes

Part Number	Cutting Dia	Cutting Length	Radius	Shank Dia	Overall Length
LR85584	1-3/8"	9/16"	5/32"	1/4"	2-1/16"
LR85585	1-3/8"	9/16"	5/32"	1/2"	2-1/2"
LR85586	1-5/8"	3/4"	1/4"	1/2"	2-5/8"

Replacement Bearing: LR95004

To achieve beading cuts change bearing to LR95000

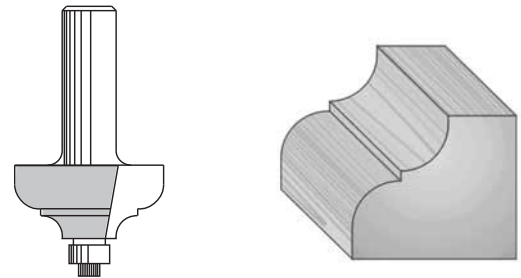


Panelling Bits, with Bearing, 2 Flutes

Part Number	Cutting Dia	Cutting Length	Rad 1	Rad 2	Shank Dia	Overall Length
LR85750	1-1/8"	1/2"	5/32"	5/32"	1/4"	2-1/16"
LR85752	1-1/8"	1/2"	5/32"	5/32"	1/2"	2-3/8"
LR85754	1-3/8"	5/8"	1/4"	3/16"	1/4"	2-3/16"
LR85756	1-3/8"	5/8"	1/4"	3/16"	1/2"	2-9/16"

Replacement Bearing: LR95004

To achieve beading cuts change bearing to LR95000

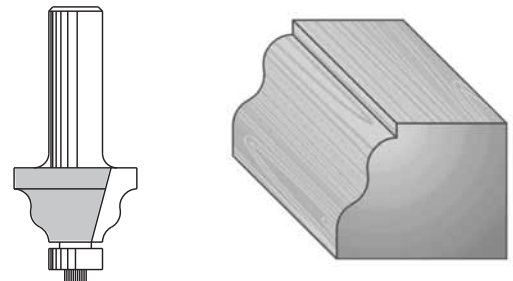


Ogee Fillet Bits, with Bearing, 2 Flutes

Part Number	Cutting Dia	Cutting Length	Radius	Shank Dia	Overall Length
LR85740	1-1/8"	1/2"	5/32"	1/4"	2-1/16"
LR85742	1-1/8"	1/2"	5/32"	1/2"	2-3/8"
LR85744	1-3/8"	11/16"	1/4"	1/4"	2-3/16"
LR85746	1-3/8"	11/16"	1/4"	1/2"	2-9/16"

Replacement Bearing: LR95004

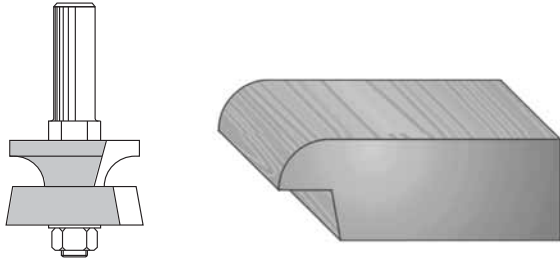
To achieve beading cuts change bearing to LR95000



Wavy Edge Bits, with Bearing, 2 Flutes

Part Number	Cutting Dia	Cutting Length	Radius	Shank Dia	Overall Length
LR85487	1-1/4"	11/16"	5/32"	1/4"	2-3/16"
LR85488	1-1/4"	11/16"	5/32"	1/2"	2-9/16"

Replacement Bearing: LR95004

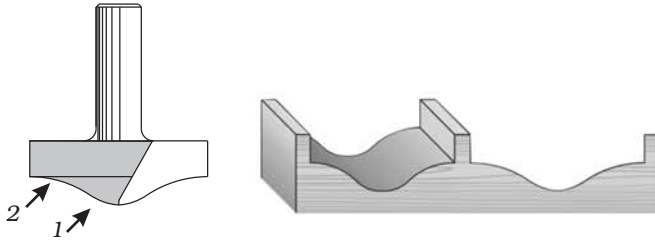


Door Lip Assembly, 2 Flutes

Part Number	Cutting Dia	Cutting Length	Shank Dia	Overall Length
LR85720	1-5/8"	1"	1/2"	3"

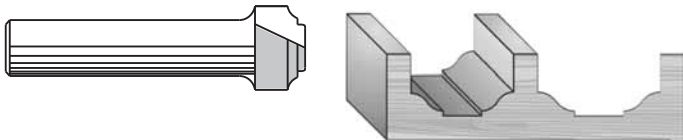
Replacement Parts:

Radius Cutter: LR85720A 3/8" Radius
 Rabetting Cutter: LR85720B 10 Degree Bevel



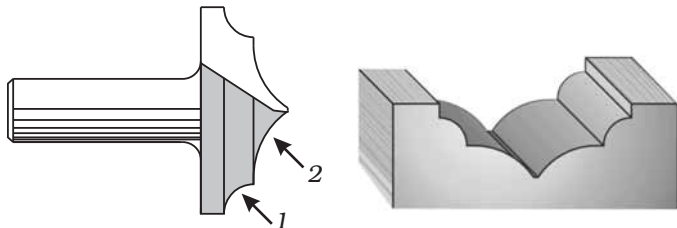
Round and Ogee Plunge Type Bits, 2 Flutes

Part Number	Cut Dia	Cut Length	Rad 1	Rad 2	Shk Dia	Overall Length
LR85800	1-5/8	23/32	3/8	3/4	1/2	2-13/64
LR85801	1-31/32	23/32	5/8	1-3/16	1/2	2-13/64



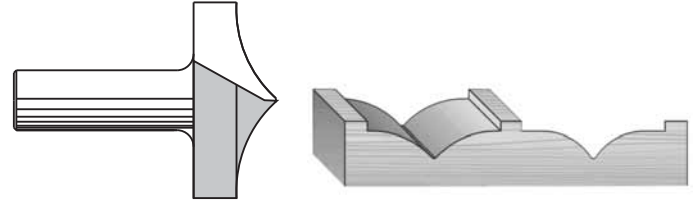
Step Flat Ogee Plunge Type Bits, 2 Flutes

Part Number	Cutting Dia	Cutting Length	Radius	Shank Dia	Overall Length
LR85802	1"	19/32"	3/16"	1/2"	2-3/32"
LR85803	1-3/16"	19/32"	15/64"	1/2"	2-3/32"



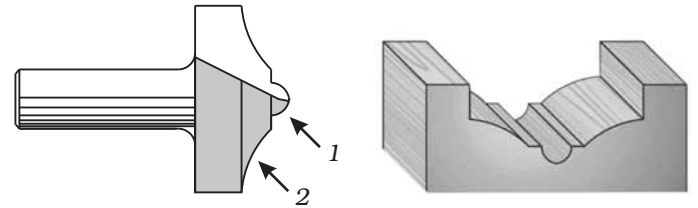
Rounding Over Plunge Type Bit, 2 Flutes

Part Number	Cutting Dia	Cutting Length	Rad 1	Rad 2	Shank Dia	Overall Length
LR85804	1-5/8"	23/32"	1/4"	19/32"	1/2"	2-7/32"



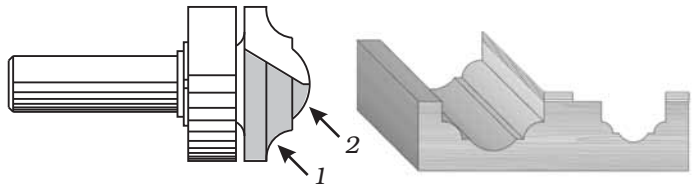
Rounding Over Plunge Type Bits, 2 Flutes

Part Number	Cutting Dia	Cutting Length	Radius	Shank Dia	Overall Length
LR85805	1-3/4"	23/32"	23/32"	1/2"	2-7/32"
LR85806	1-5/8"	23/32"	1"	1/2"	2-7/32"



Round and Ogee Plunge Type Bit, 2 Flutes

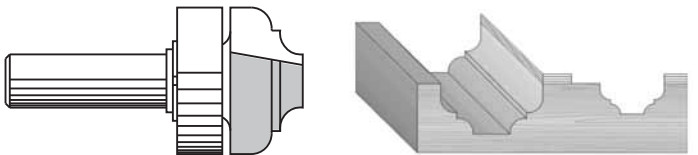
Part Number	Cutting Dia	Cutting Length	Rad 1	Rad 2	Shank Dia	Overall Length
LR85807	1-9/16"	25/32"	5/32"	7/8"	1/2"	2-9/32"



Panelling Groover, with Centre Bearing, Round Bottom, 2 Flutes

Part Number	Cutting Dia	Cutting Length	Rad 1	Rad 2	Shank Dia	Overall Length
LR85483	7/8"	1/2"	7/32"	5/32"	1/4"	2"
LR85484	1-3/8"	9/16"	13/32"	1/4"	1/2"	2-5/8"

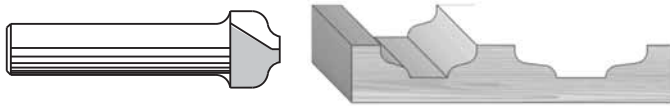
Replacement Bearings: (A) LR95008 (B) LR95011



Panelling Groover, with Centre Bearing, Flat Bottom, 2 Flutes

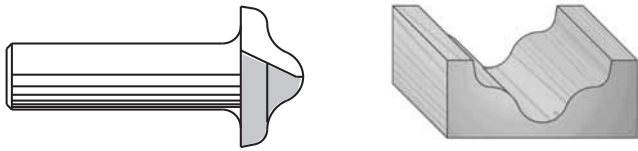
Part Number	Cutting Dia	Cutting Length	Radius	Shank Dia	Overall Length
LR85485	7/8"	3/8"	9/64"	1/4"	2"
LR85486	1-3/8"	9/16"	13/64"	1/2"	2-5/8"

Replacement Bearings: (A) LR95008 (B) LR95011



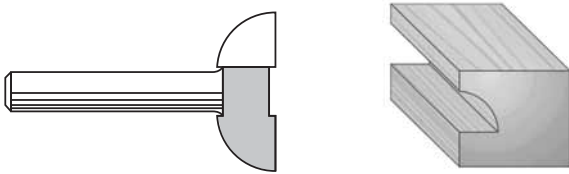
Flat Ogee Bits Plunge Type, 2 Flutes

Part Number	Cutting Dia	Cutting Length	Radius	Shank Dia	Overall Length
LR85465	1"	3/8"	1/8"	1/4"	2"
LR85466	1-3/8"	3/8"	1/8"	1/2"	2-1/4"



Ogee Bits Plunge Type, 2 Flutes

Part Number	Cutting Dia	Cutting Length	Radius	Shank Dia	Overall Length
LR85481	1-1/16"	7/16"	15/64"	1/4"	2"
LR85482	1-1/16"	7/16"	15/64"	1/2"	2-1/4"



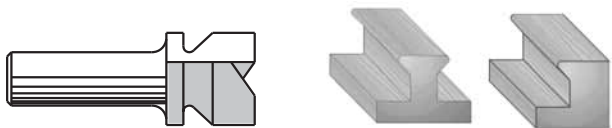
Finger Grip Bits, 2 Flutes

Part Number	Cutting Dia	Cutting Length	Radius	Shank Dia	Overall Length
LR85710	3/4"	1/4"	1/4"	1/4"	1-3/4"
LR85712	1"	3/8"	3/8"	1/4"	1-3/4"

Finger Grip Router Bits, 2 Flutes



Part Number	Cutting Dia	Cutting Length	Radius	Shank Dia	Overall Length
LR85714	3/4"	3/4"	3/16"	1/2"	2-3/16"



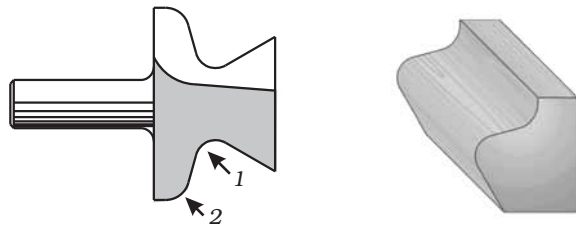
Part Number	Cutting Dia	Cutting Length	Radius	Shank Dia	Overall Length
LR85713	7/8"	13/16"	1/16"	1/2"	2-5/16"



Part Number	Cutting Dia	Cutting Length	Radius	Shank Dia	Overall Length
LR85716	1-3/4"	13/16"	3/16"	1/2"	2-5/16"



Part Number	Cutting Dia	Cutting Length	Radius	Shank Dia	Overall Length
LR85715	1-1/2"	13/16"	15/64"	1/2"	2-5/16"



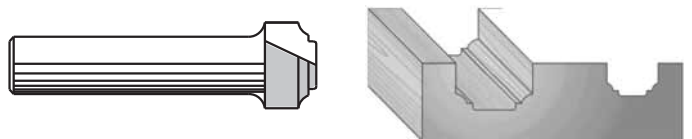
Outer Edge Door Trimmer Bits, 2 Flutes

Part Number	Cutting Dia	Cutting Length	Rad 1	Rad 2	Shank Dia	Overall Length
LR91434	2"	1-1/4"	3/16"	1/4"	1/2"	2-3/4"



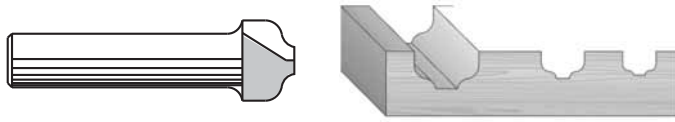
Beading Bit Plunge Type, 2 Flutes

Part Number	Cutting Dia	Cutting Length	Radius	Shank Dia	Overall Length
LR85478	3/8"	5/16"	1/8"	1/4"	2"



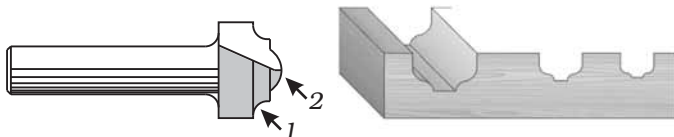
Traditional Bits Plunge Type, 2 Flutes

Part Number	Cutting Dia	Cutting Length	Radius	Shank Dia	Overall Length
LR85474	1/2"	3/8"	3/64"	1/4"	2"
LR85475	3/4"	7/16"	1/16"	1/4"	2-1/16"
LR85476	3/4"	7/16"	1/16"	1/2"	2-5/8"



Ogee Bits Plunge Type, 2 Flutes

Part Number	Cutting Dia	Cutting Length	Radius	Shank Dia	Overall Length
LR85461	3/8"	5/16"	1/16"	1/4"	1-7/8"
LR85462	1/2"	3/8"	5/64"	1/4"	2"
LR85463	3/4"	7/16"	1/8"	1/4"	2-1/8"
LR85464	3/4"	7/16"	1/8"	1/2"	2-3/4"



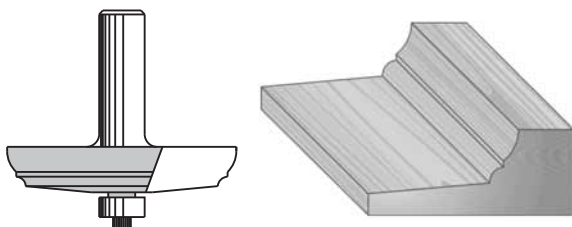
Classical Bits Plunge Type, 2 Flutes

Part Number	Cutting Dia	Cutting Length	Rad 1	Rad 2	Shank Dia	Overall Length
LR85467	1/2"	3/8"	1/8"	5/32"	1/4"	2"
LR85468	3/4"	1/2"	3/16"	1/4"	1/4"	2-1/16"
LR85469	3/4"	1/2"	3/16"	1/4"	1/2"	2-3/4"
LR85470	1"	5/8"	1/4"	5/16"	1/2"	2-7/8"



Corner Ogee Bit Plunge Type, 2 Flutes

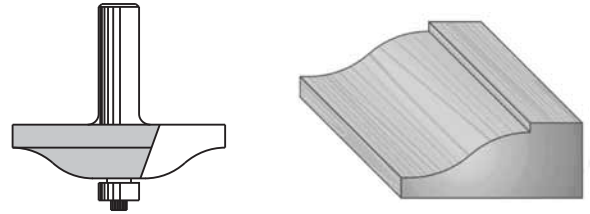
Part Number	Cutting Dia	Cutting Length	Radius	Shank Dia	Overall Length
LR85460	15/16"	19/32"	3/32"	1/2"	2-1/4"



Classical Raised Panel, with Bearing, 2 Flutes

Part Number	Cutting Dia	Cutting Height	Radius	Shank Dia	Overall Length
LR85591	2-1/2"	1/2"	1/8"	1/2"	2-3/8"

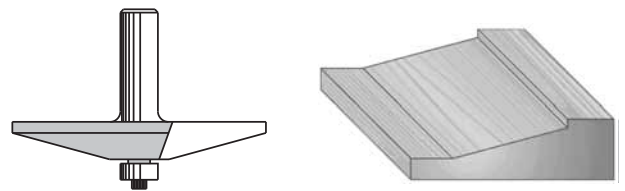
Replacement Bearing: LR95004



Ogee Fillet Raised Panel, with Bearing, 2 Flutes

Part Number	Cutting Dia	Cutting Height	Radius	Shank Dia	Overall Length
LR85588	2-5/8"	11/16"	3/4"	1/2"	2-9/16"
LR85592	3-3/8"	5/8"	7/8"	1/2"	2-1/2"

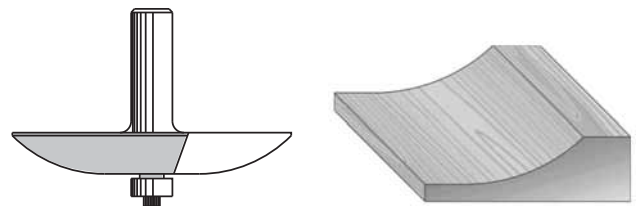
Replacement Bearing: LR95004



Provincial Raised Panel, with Bearing, 2 Flutes

Part Number	Cutting Dia	Cutting Height	Bevel	Shank Dia	Overall Length
LR85590	3-3/8"	1/2"	15 Degree	1/2"	2-3/8"

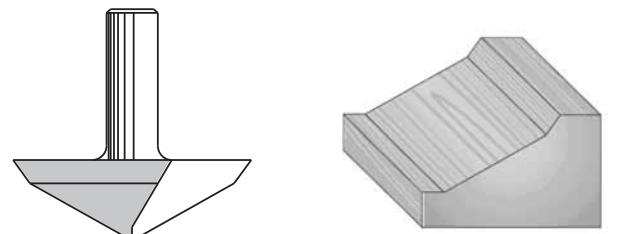
Replacement Bearing: LR95004



Cove Raised Panel, with Bearing, 2 Flutes

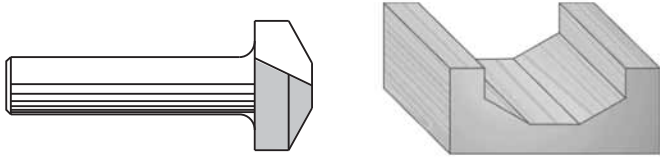
Part Number	Cutting Dia	Cutting Height	Radius	Shank Dia	Overall Length
LR85589	3-3/8"	1/2"	1-9/16"	1/2"	2-3/8"

Replacement Bearing: LR95004



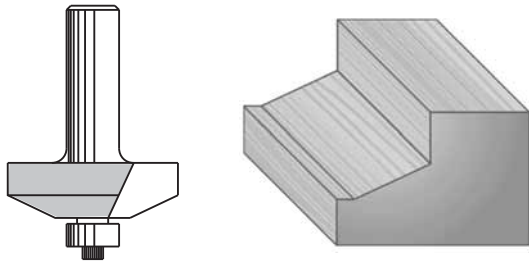
Raised Panel, French Provincial, Plunge Type, 2 Flutes

Part Number	Cutting Dia	Cutting Height	Bevel	Shank Dia	Overall Length
LR85489	2-3/4"	3/4"	25 Degree	1/2"	2-1/4"



Raised Panel Bit Plunge Type, 2 Flutes

Part Number	Cutting Dia	Cutting Length	Bevel	Shank Dia	Overall Length
LR85480	1-1/8"	1/2"	30 Deg	1/2"	2-3/4"
LR85477	2"	5/8"	10 Deg	1/2"	2-1/2"



Raised Panel Bits, with Bearing, 2 Flutes

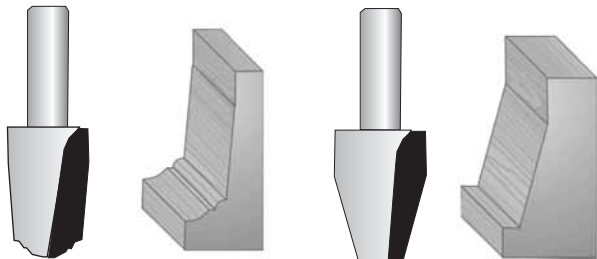
Part Number	Cutting Dia	Cutting Length	Bevel	Shank Dia	Overall Length
LR85583	1-5/8"	1/2"	25 Deg	1/2"	2-1/2"

Replacement Bearing: LR95004

Vertical Raised Panel Bits, 2 Flutes

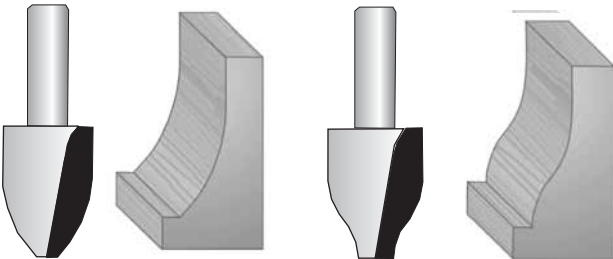
LR85595

LR85596



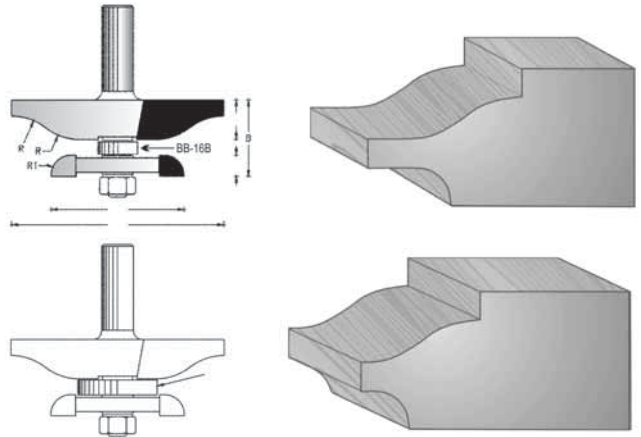
LR85593

LR85594



Part Number	Cutting Dia	Cutting Length	Shank Dia	Overall Length
LR85595	1"	1-1/2"	1/2"	2-7/8"
LR85596	1-1/8"	1-1/2"	1/2"	2-7/8"
LR85593	1-1/8"	1-1/2"	1/2"	2-7/8"
LR85594	1-3/16"	1-1/2"	1/2"	2-7/8"

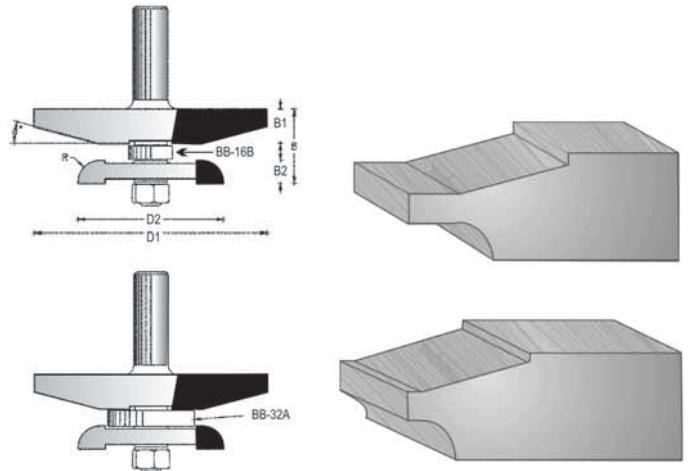
Raised Panel Router Bits with Back Cutter



Part Number	Large Dia	Small Dia	Cutting Height	Radius 1	Radius 2	Shank Dia	Overall Length
LR85550	3-3/8"	2-1/8"	1-3/16"	7/8"	5/16"	1/2"	3-1/16"

Complete Set consists of:

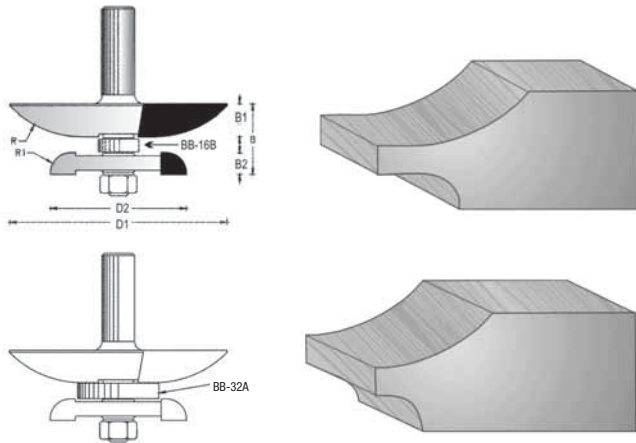
- Raised Panel Cutter: LR85550R
- Back Cutter: LR85550B
- Ball Bearings: LR95005D & LR95017A
- Washers: LR95207 (12x8x1.0mm)
- Shims: LR95301 (12x8x0.1mm) 2 pcs
- Shims: LR95303 (12x8x0.2mm) 2 pcs
- Shims: LR95305 (12x8x0.5mm) 2 pcs
- Nut: LR95400 (NF5/16) 1 pc



Part Number	Large Dia	Small Dia	Cutting Height	Bevel	Radius	Shank Dia	Overall Length
LR85551	3-3/8"	2-1/8"	1-1/16"	15 Deg	5/16"	1/2"	2-15/16"

Complete Set consists of:

- Raised Panel Cutter: LR85551R
- Back Cutter: LR85550B
- Ball Bearings: LR95005D & LR95017A
- Washers: LR95207 (12x8x1.0mm)
- Shims: LR95301 (12x8x0.1mm) 2 pcs
- Shims: LR95303 (12x8x0.2mm) 2 pcs
- Shims: LR95305 (12x8x0.5mm) 2 pcs
- Nut: LR95400 (NF5/16) 1 pc

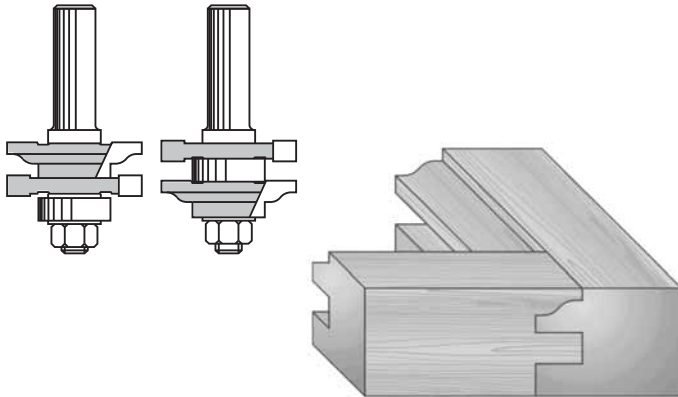


Part Number	Large Dia	Small Dia	Cutting Height	Rad 1	Rad 2	Shank Dia	Overall Length
LR85552	3-3/8"	2-1/8"	1-1/16"	1-9/16"	5/16"	1/2"	2-15/16"

Complete Set consists of:

- Raised Panel Cutter: LR85552R
- Back Cutter: LR85550B
- Ball Bearings: LR95005D & LR95017A
- Washers: LR95207 (12x8x1.0mm)
- Shims: LR95301 (12x8x0.1mm) 2 pcs
- Shims: LR95303 (12x8x0.2mm) 2 pcs
- Shims: LR95305 (12x8x0.5mm) 2 pcs
- Nut: LR95400 (NF5/16) 1 pc

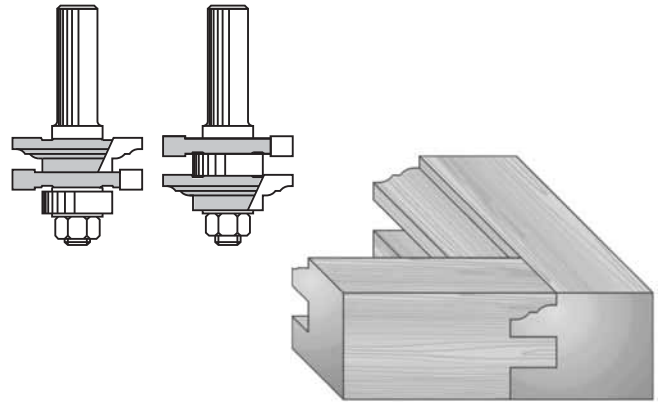
Rail & Stile Bits, Reversible, 1 Piece, 2 Wings



Part Number	Cutting Dia	Groove Width	Groove Depth	Shank Dia	Shank Length
LR85726	1-5/8"	1/4"	3/8"	1/2"	3"

Replacement Parts:

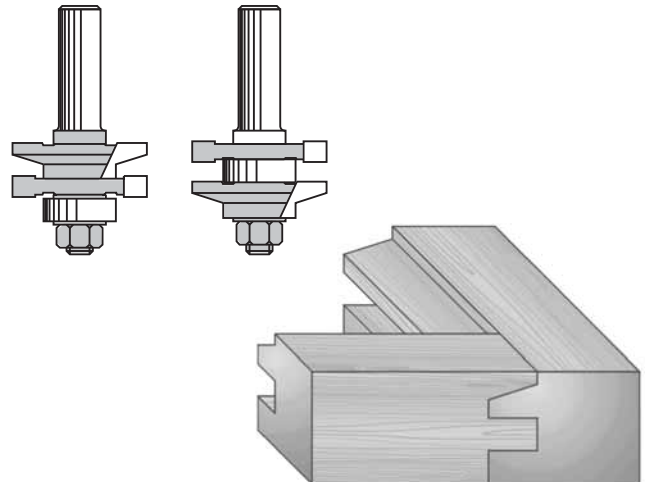
- Profile Cutter: LR85726C
- Groove Cutter: LR85729
- Arbor & Nut: LR95105
- Ball Bearings: LR95008
- Washers: LR95306
- Spacer: LR95302 (0.1mm)
- Spacer: LR95300 (0.05mm)



Part Number	Cutting Dia	Groove Width	Groove Depth	Shank Dia	Shank Length
LR85727	1-5/8"	1/4"	3/8"	1/2"	3"

Replacement Parts:

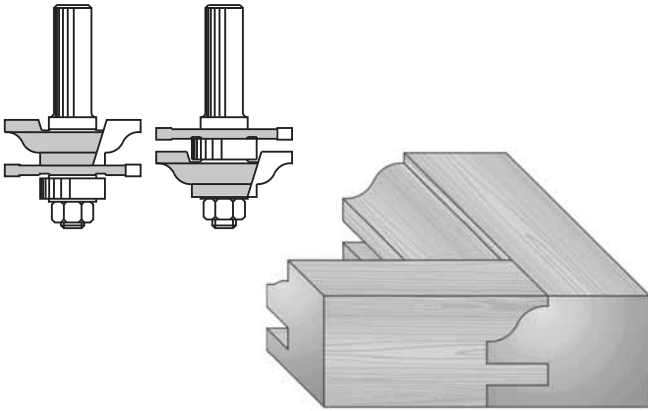
- Profile Cutter: LR85727C
- Groove Cutter: LR85729
- Arbor & Nut: LR95105
- Ball Bearings: LR95008
- Washers: LR95306
- Spacer: LR95302 (0.1mm)
- Spacer: LR95300 (0.05mm)



Part Number	Cutting Dia	Groove Width	Groove Depth	Shank Dia	Shank Length
LR85728	1-5/8"	1/4"	3/8"	1/2"	3"

Replacement Parts:

- Profile Cutter: LR85728C
- Groove Cutter: LR85729
- Arbor & Nut: LR95105
- Ball Bearings: LR95008
- Washers: LR95306
- Spacer: LR95302 (0.1mm)
- Spacer: LR95300 (0.05mm)

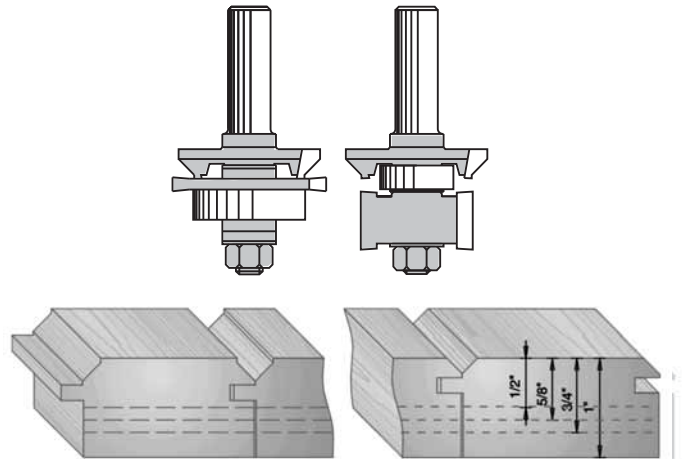


Part Number	Cutting Dia	Groove Width	Groove Depth	Shank Dia	Overall Length
for 3/4" to 7/8" material					
LR85730	1-13/16"	5/32"	1/2"	1/2"	3"

Replacement Parts:

- Profile Cutter: LR85730C
- Groove Cutter: LR85732
- Arbor & Nut: LR95105
- Ball Bearings: LR95008
- Washers: LR95306
- Spacer: LR95302 (0.1mm)
- Spacer: LR95300 (0.05mm)

"V" Panel Bit Set, 1 Piece, 2 Wings

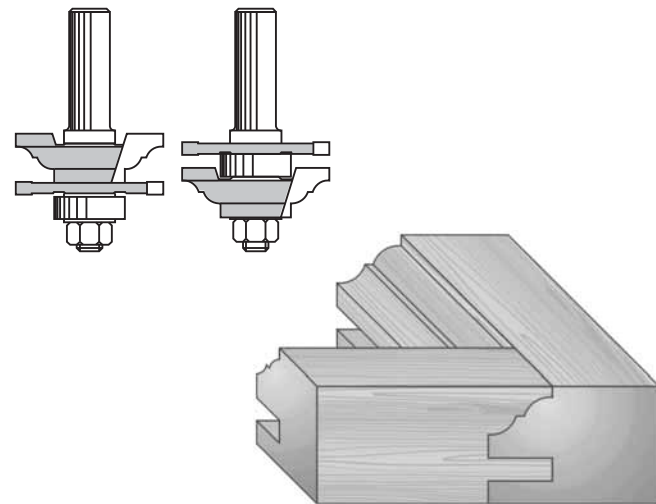


Part Number	Cutting Dia	Cutting Length	Shank Dia	Overall Length
LR85724	1-13/16"	1-3/16"	1/2"	3"

Replacement Parts:

- Profile Cutter: LR85724P
- Rabetting Cutter: LR85700
- Groove Cutter: LR85732
- Arbor & Nut: LR95105B
- Ball Bearings: LR95008 & LR95010C
- Spacer: LR95307 (3 pcs)
- Spacer: LR95306 (2 pcs)
- Shims: LR95304
- Shims: LR95305
- Shims: LR95302 (3 pcs)
- Shims: LR95300

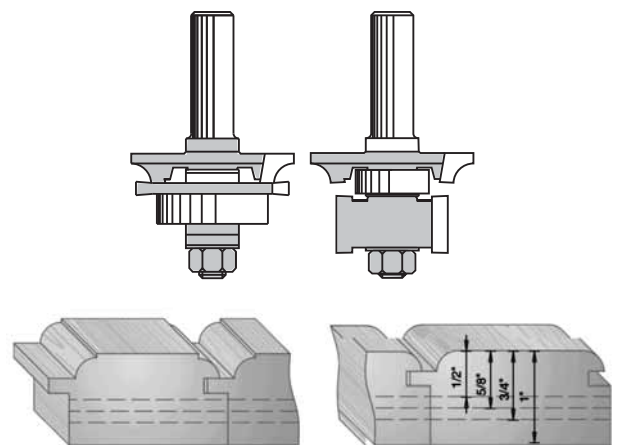
"C" Panel Bit Set, 1 Piece, 2 Wings



Part Number	Cutting Dia	Groove Width	Groove Depth	Shank Dia	Overall Length
for 3/4" to 7/8" material					
LR85731	1-13/16"	5/32"	1/2"	1/2"	3"

Replacement Parts:

- Profile Cutter: LR85731C
- Groove Cutter: LR85732
- Arbor & Nut: LR95105
- Ball Bearings: LR95008
- Washers: LR95306
- Spacer: LR95302 (0.1mm)
- Spacer: LR95300 (0.05mm)

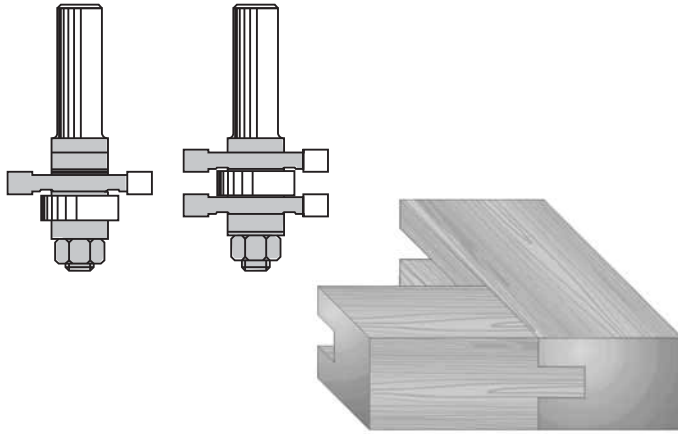


Part Number	Cutting Dia	Cutting Length	Shank Dia	Overall Length
LR85723	1-13/16"	1-3/16"	1/2"	3"

Replacement Parts:

- Profile Cutter: LR85723P
- Rabetting Cutter: LR85700
- Groove Cutter: LR85732
- Arbor & Nut: LR95105B
- Ball Bearings: LR95008 & LR95010C
- Spacer: LR95307 (3 pcs)
- Spacer: LR95306 (2 pcs)
- Shims: LR95304
- Shims: LR95305
- Shims: LR95302 (3 pcs)
- Shims: LR95300

Tongue & Groove Cutter, 1 Piece, Reversible, 2 Wings

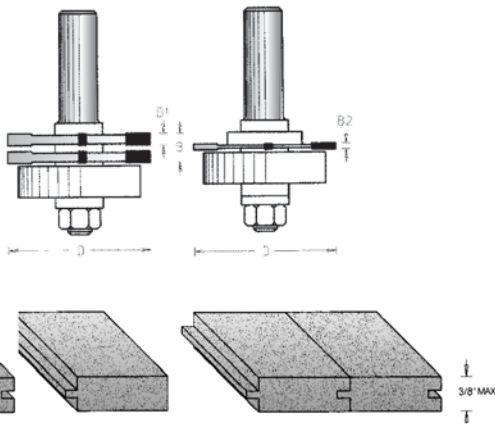


Part Number	Cutting Dia	Cutting Length	Shank Dia	Overall Length
for 5/8" to 3/4" material				
LR92734	1-5/8"	3/4"	1/2"	3"

Replacement Parts:

- Groove Cutter: LR85729 (2 pcs)
- Arbor & Nut: LR95105
- Ball Bearings: LR95008
- Washers: LR95306
- Spacer: LR95302 (0.1mm)
- Spacer: LR95304 (0.5mm)
- Spacer: LR95309 (6.0mm)

Tongue & Groove - Joint Set, 1 Piece, 3 Wings

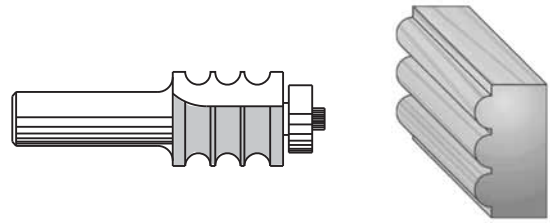


Part Number	Cutting Dia	Cutting Length	Shank Dia	Overall Length
for 5/8" to 3/4" material				
LR92735	1-7/8"	3/8"	1/2"	3"

Replacement Parts:

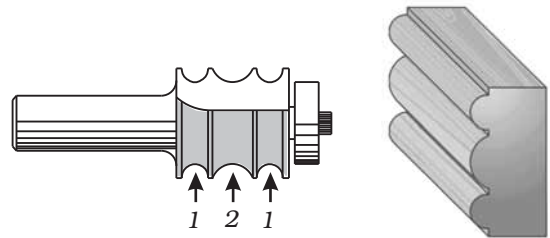
- Groove Cutter: LR92431 (2 pcs) Shims: LR95309
- Groove Cutter: LR92351 (1 pc) Shims: LR95305
- Arbor & Nut: LR95105 Shims: LR95306 (2 pcs)
- Ball Bearings: LR95027 & Shims: LR95302
- LR95016 Shims: LR95300

Triple Beading Bits, with Bearing, 2 Flutes



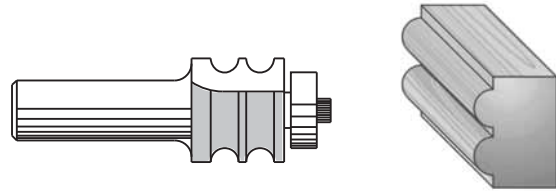
Part Number	Cutting Dia	Cutting Length	Radius	Shank Dia	Overall Length
LR89247B	7/8"	1"	1/8"	1/4"	2-1/2"
LR89248B	7/8"	1"	1/8"	1/2"	2-7/8"

Replacement Bearing: LR95005B



Part Number	Cutting Dia	Cutting Length	Rad 1	Rad 2	Shank Dia	Overall Length
LR89251	1"	1"	1/8"	3/16"	1/4"	2-1/4"
LR89252	1"	1"	1/8"	3/16"	1/2"	2-1/4"

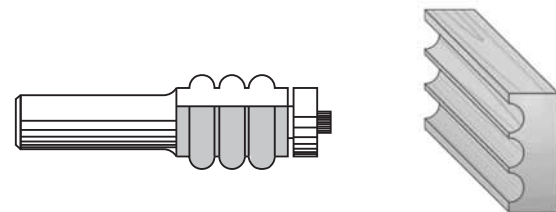
Replacement Bearing: LR95006



Double Beading Bits, with Bearing, 2 Flutes

Part Number	Cutting Dia	Cutting Length	Radius	Shank Dia	Overall Length
LR89254	7/8"	3/4"	1/8"	1/2"	2-5/8"

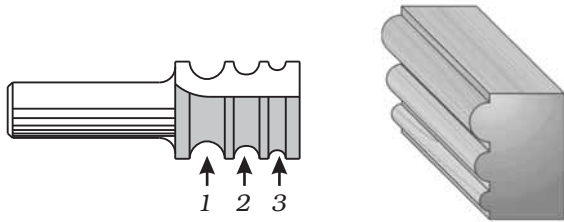
Replacement Bearing: LR95005B



Convex Beading Bits, with Bearing, 2 Flutes

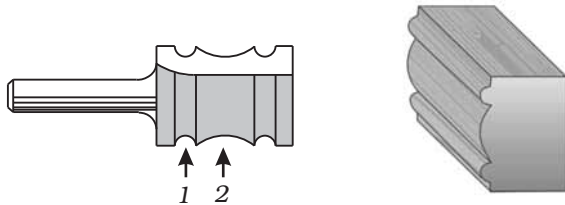
Part Number	Cutting Dia	Cutting Length	Radius	Shank Dia	Overall Length
LR89255	7/8"	1"	1/8"	1/4"	2-1/2"
LR89256	7/8"	1"	1/8"	1/2"	2-7/8"

Replacement Bearing: LR95005B



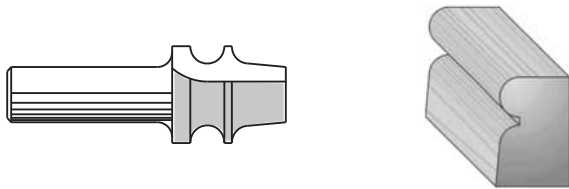
Variable Beading Bits, 2 Flutes

Part Number	Cut Dia	Cut Length	Rad 1	Rad 2	Rad 3	Shank Dia	Overall Length
LR89249	7/8	1-1/8	5/32	1/8	5/64	1/4	2-1/4
LR89250	7/8	1-1/8	5/32	1/8	5/64	1/2	2-5/8



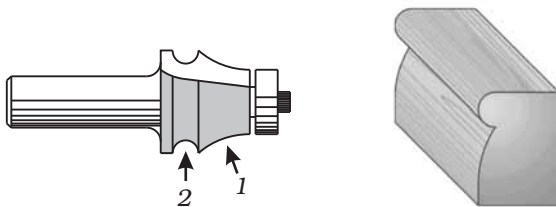
Triple Beading Bits, 2 Flutes

Part Number	Cutting Dia	Cutting Length	Rad 1	Rad 2	Shank Dia	Overall Length
LR89253	3/4"	1"	5/64"	1/4"	1/4"	2-1/8"



Edge Beading Bits, 2 Flutes

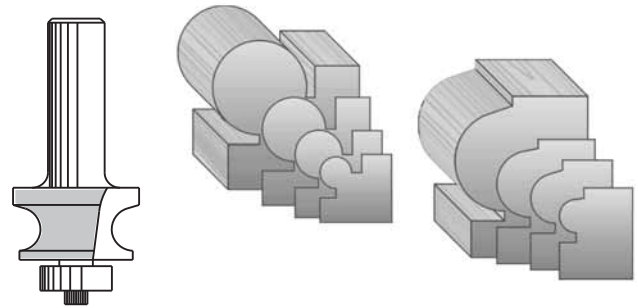
Part Number	Cutting Dia	Cutting Length	Radius	Shank Dia	Overall Length
LR94233	7/8"	1-1/32"	5/32"	1/4"	2-5/16"
LR94233A	7/8"	1-1/32"	5/32"	1/2"	2-1/2"



Edge Beading Bits, with Bearing, 2 Flutes

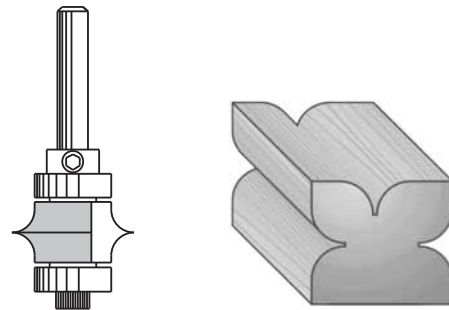
Part Number	Cutting Dia	Cutting Length	Rad 1	Rad 2	Shank Dia	Overall Length
LR94234	1"	7/8"	1"	3/32"	1/2"	2-3/4"
LR94235	1"	7/8"	3/4"	1/8"	1/2"	2-3/4"
LR94236	1"	7/8"	9/16"	5/32"	1/2"	2-3/4"
LR94237	1"	7/8"	3/8"	3/16"	1/2"	2-3/4"

Replacement Bearing: LR95005B



Corner Beading Bits, with Bearing, 2 Flutes

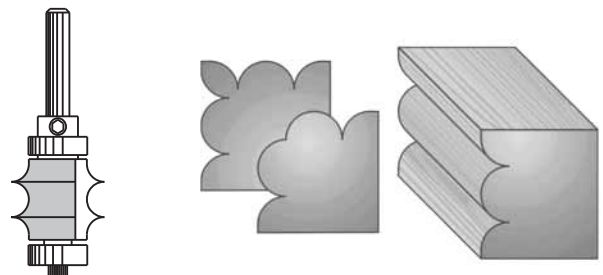
Part Number	Cutting Dia	Cutting Length	Radius	Shank Dia	Overall Length	Bearing
LR91234	7/8"	9/16"	1/8"	1/4"	2-1/8"	LR95004
LR91236	7/8"	9/16"	1/8"	1/2"	2-1/2"	LR95004
LR91238	1-1/16"	5/8"	3/16"	1/4"	2-1/4"	LR95005B
LR91240	1-1/16"	5/8"	3/16"	1/2"	2-5/8"	LR95005B
LR91241	1-1/4"	3/4"	1/4"	1/4"	2-3/8"	LR95005B
LR91244	1-1/4"	3/4"	1/4"	1/2"	2-5/8"	LR95005B
LR91246	1-1/2"	1"	3/8"	1/2"	3"	LR95005B



Beading Bits, Leaf Edge Style, with Double Bearing, 2 Flutes

Part Number	Cutting Dia	Cutting Length	Radius	Shank Dia	Overall Length
LR91275	1"	1/2"	3/16"	1/4"	2-1/2"
LR91276	1-1/8"	5/8"	1/4"	1/4"	2-5/8"
LR91277	1-3/8"	7/8"	3/8"	1/4"	2-7/8"

Replacement Bearing: LR95005

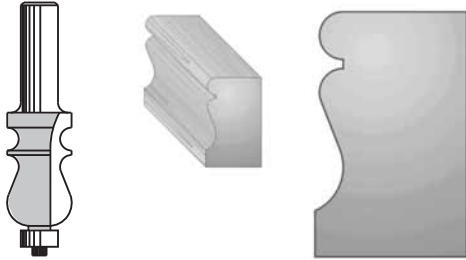


Beading Bits, Double Leaf Edge, with Double Bearing, 2 Flutes

Part Number	Cutting Dia	Cutting Length	Radius	Shank Dia	Overall Length
LR91275A	1"	7/8"	3/16"	1/4"	3"

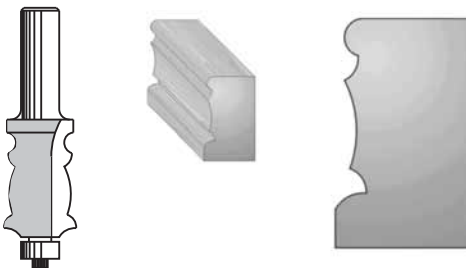
Replacement Bearing: LR95005

Fancy Moulding Bits, with Bearing, 2 Flutes



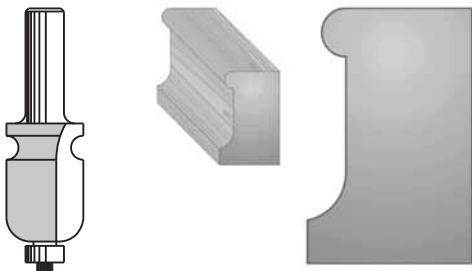
Part Number	Cutting Dia	Cutting Length	Shank Dia	Overall Length
LR94106	7/8"	1-1/2"	1/2"	3-3/8"

Replacement Bearing: LR95004



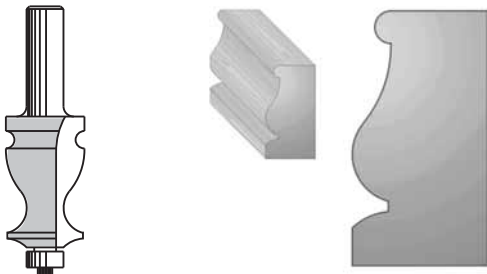
Part Number	Cutting Dia	Cutting Length	Shank Dia	Overall Length
LR94104	1"	1-1/2"	1/2"	3-1/2"

Replacement Bearing: LR95004



Part Number	Cutting Dia	Cutting Length	Shank Dia	Overall Length
LR94102	1"	1-1/2"	1/2"	3-3/8"

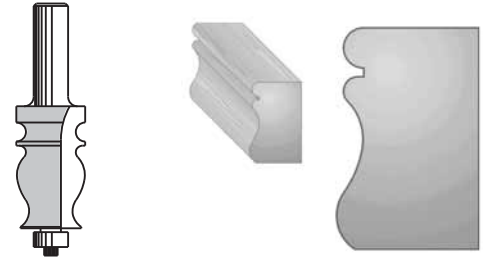
Replacement Bearing: LR95004



Part Number	Cutting Dia	Cutting Length	Shank Dia	Overall Length
LR94100	1-1/16"	1-3/4"	1/2"	3-1/2"

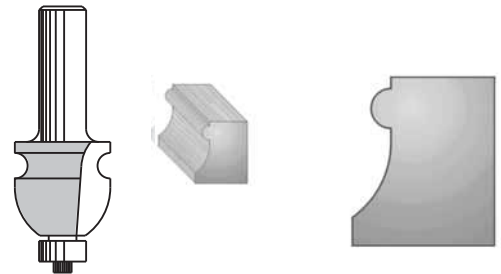
Replacement Bearing: LR95004

Edge Forming Bits, with Bearing, 2 Flutes



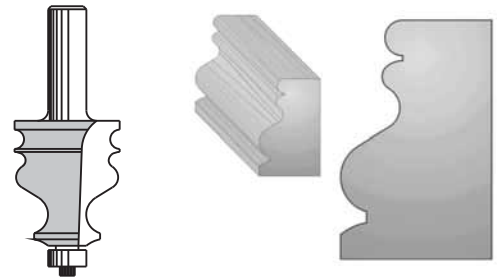
Part Number	Cutting Dia	Cutting Length	Shank Dia	Overall Length
LR94103	1"	1-3/4"	1/2"	3-3/4"

Replacement Bearing: LR95004



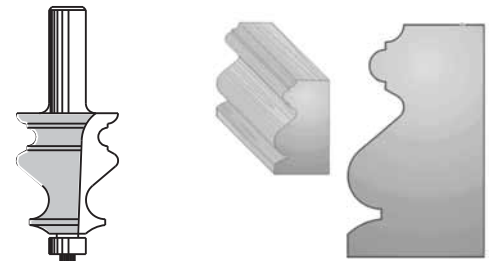
Part Number	Cutting Dia	Cutting Length	Shank Dia	Overall Length
LR94101	1"	1"	1/2"	2-7/8"

Replacement Bearing: LR95004



Part Number	Cutting Dia	Cutting Length	Shank Dia	Overall Length
LR94099	1-3/8"	1-5/8"	1/2"	3-1/2"

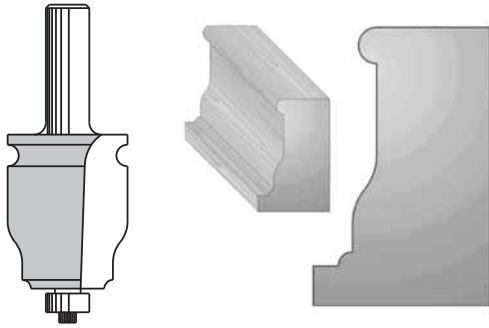
Replacement Bearing: LR95004



Part Number	Cutting Dia	Cutting Length	Shank Dia	Overall Length
LR94098	1-3/8"	1-5/8"	1/2"	3-1/2"

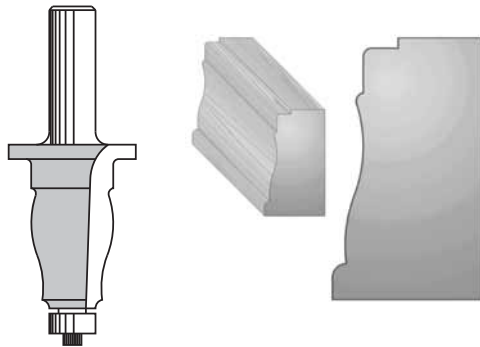
Replacement Bearing: LR95004

Edge Forming Bits, with Bearing, 2 Flutes



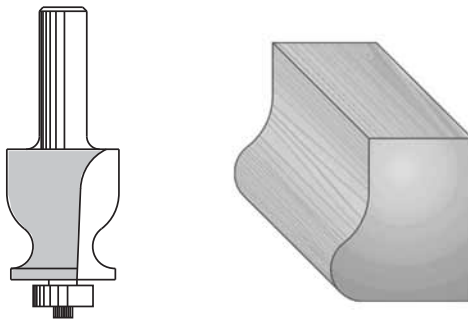
Part Number	Cutting Dia	Cutting Length	Shank Dia	Overall Length
LR94090	1-3/8"	1-3/4"	1/2"	3-5/8"

Replacement Bearing: LR95004



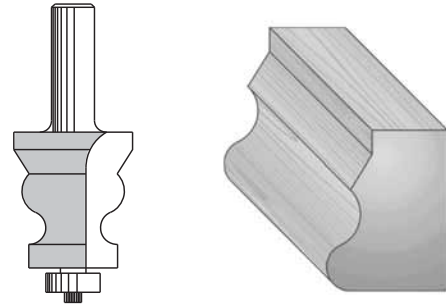
Part Number	Cutting Dia	Cutting Length	Shank Dia	Overall Length
LR94091	1-3/8"	1-3/4"	1/2"	3-5/8"

Replacement Bearing: LR95004



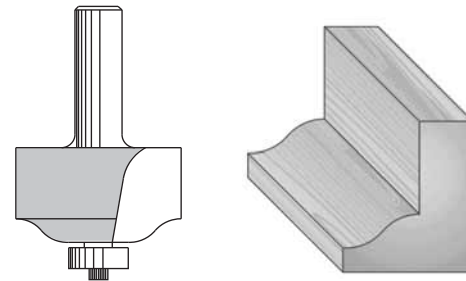
Part Number	Cutting Dia	Cutting Length	Shank Dia	Overall Length
LR94096	1-3/16"	1-3/8"	1/2"	3-1/4"

Replacement Bearing: LR95005B



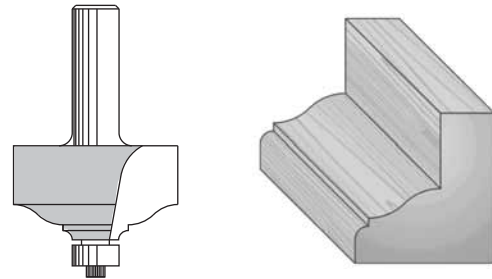
Part Number	Cutting Dia	Cutting Length	Shank Dia	Overall Length
LR94095	1-3/8"	1-1/2"	1/2"	3-3/8"

Replacement Bearing: LR95005B



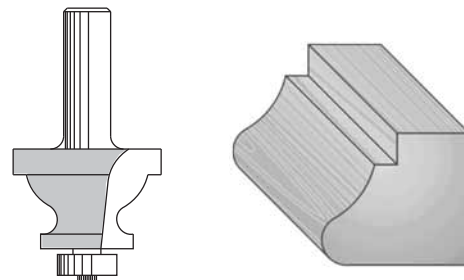
Part Number	Cutting Dia	Cutting Length	Shank Dia	Overall Length
LR94092	1-3/4"	1"	1/2"	3"

Replacement Bearing: LR95005A



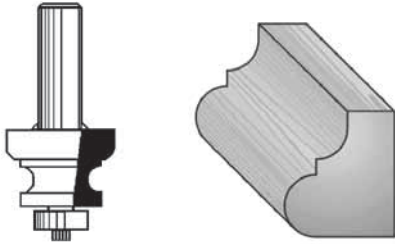
Part Number	Cutting Dia	Cutting Length	Shank Dia	Overall Length
LR94097	1-3/4"	1"	1/2"	3"

Replacement Bearing: LR95004



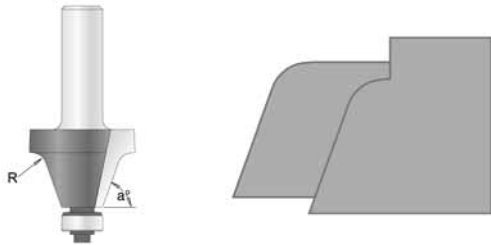
Part Number	Cutting Dia	Cutting Length	Radius	Shank Dia	Overall Length
LR94083	1-9/16"	1-1/16"	5/32"	1/2"	3"

Replacement Bearing: LR95005B



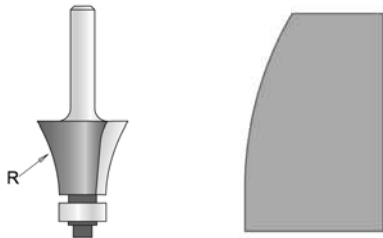
Part Number	Cutting Dia	Cutting Length	Radius 1&2	Shank Dia	Overall Length
LR94084	13/16"	19/32"	5/64"	1/2"	2-1/2"
LR94085	1-1/4"	7/8"	5/32"	1/2"	2-3/4"
LR94086	1-9/16"	1-3/16"	7/32"	1/2"	3-1/16"

Replacement Bearing: LR95005B



Part Number	Cutting Dia	Cutting Length	Radius	Shank Dia	Overall Length
LR94080	1-5/16"	5/8"	3/16"	1/2"	2-15/16"

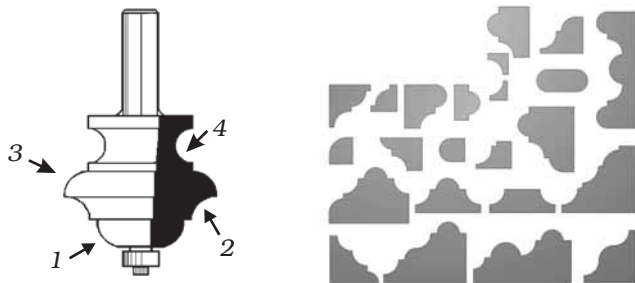
Replacement Bearing: LR95004



Part Number	Cutting Dia	Cutting Length	Radius	Shank Dia	Overall Length
LR94081	15/16"	5/8"	1-21/32"	1/4"	2-7/16"

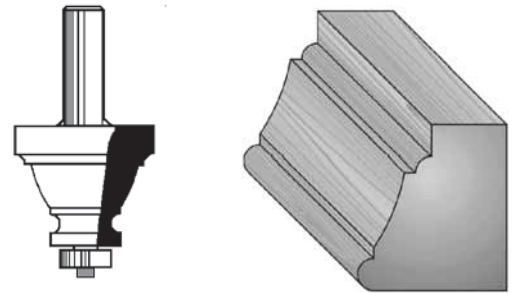
Replacement Bearing: LR95004

Multi Profile Bit, with Bearing, 2 Flutes



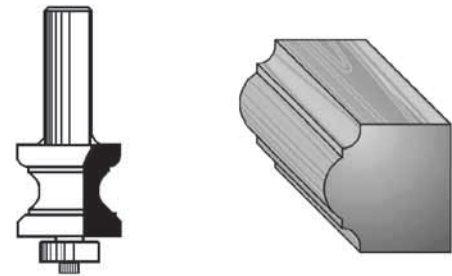
Part Number	Cutting Dia	Cutting Length	Shank Dia	Overall Length
LR94050	2-1/8"	1-7/8"	1/2"	3-3/4"
Rad 1 = 23/64" Rad 2 = 21/64" Rad 3 = 21/64"				
Rad 4 = 1/4" Replacement Bearing: LR95004				

Moulding Bits, with Bearing, 2 Flutes



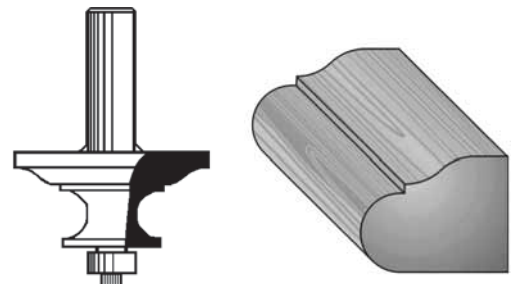
Part Number	Cutting Dia	Cutting Length	Shank Dia	Overall Length
LR94094	1-3/4"	1-1/2"	1/2"	3-7/16"

Replacement Bearing: LR95005B



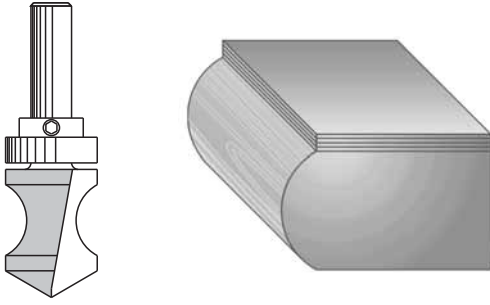
Part Number	Cutting Dia	Cutting Length	Radius	Shank Dia	Overall Length
LR94087	1-1/8"	1"	15/64"	1/2"	2-7/8"
LR94088	1-1/4"	1-3/16"	5/16"	1/2"	3-1/8"
LR94089	1-3/8"	1-9/16"	33/64"	1/2"	3-1/2"

Replacement Bearing: LR95005B



Part Number	Cutting Dia	Cutting Length	Radius	Shank Dia	Overall Length
LR94093	2"	1"	1/4"	1/2"	2-7/8"

Replacement Bearing: LR95004



**Bull Nose Bit Plunge Type,
with Centre Bearing, 2 Flutes**

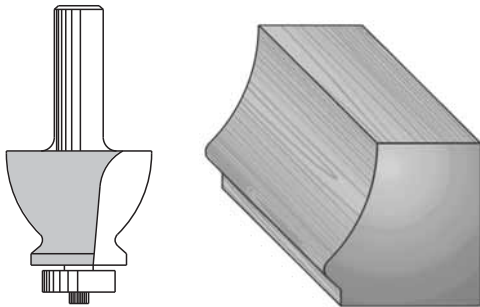
Part Number	Cutting Dia	Cutting Length	Radius	Shank Dia	Overall Length
LR94052	1-1/8"	1-9/16"	1/2"	1/2"	3-5/8"

Replacement Bearings: LR95009

Part Number	Cutting Dia	Cutting Length	Radius	Shank Dia	Overall Length
LR94054	1-1/8"	1-9/16"	1/2"	1/2"	3-5/8"

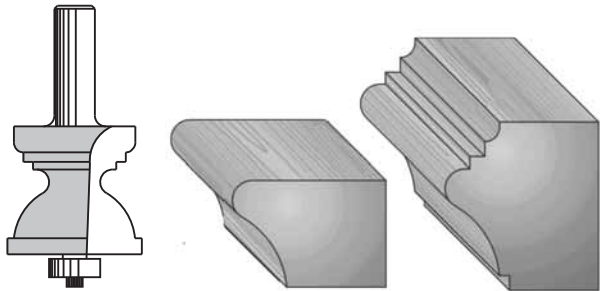
**** NO BEARING ****

Moulding Bits, with Bearing, 2 Flutes



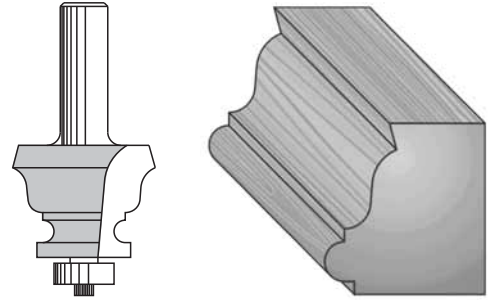
Part Number	Cutting Dia	Cutting Length	Shank Dia	Overall Length
LR94056	1-1/2"	1-3/16"	1/2"	3-1/4"

Replacement Bearing: LR95006



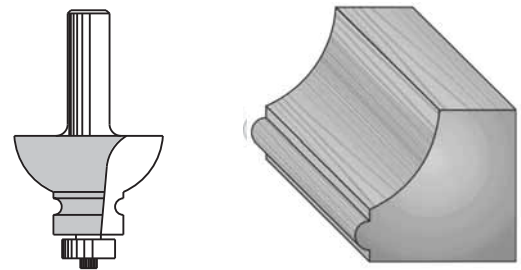
Part Number	Cutting Dia	Cutting Length	Shank Dia	Overall Length
LR94058	1-5/8"	1-9/16"	1/2"	3-1/2"

Replacement Bearing: LR95005B



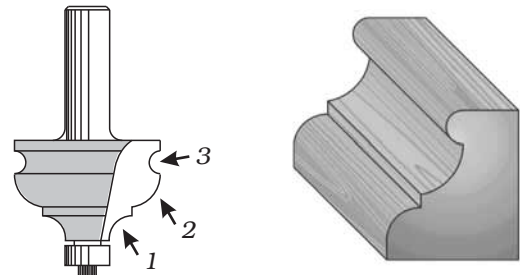
Part Number	Cutting Dia	Cutting Length	Shank Dia	Overall Length
LR94060	1-1/2"	1-3/16"	1/2"	3-1/8"

Replacement Bearing: LR95005B



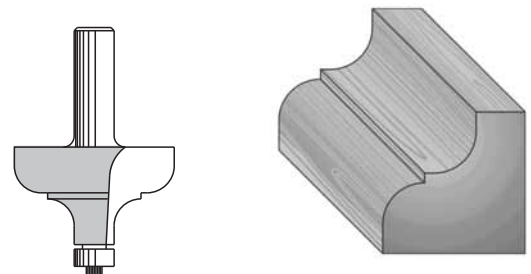
Part Number	Cutting Dia	Cutting Length	Shank Dia	Overall Length
LR94062	1-3/4"	1-3/16"	1/2"	3-3/8"

Replacement Bearing: LR95005B



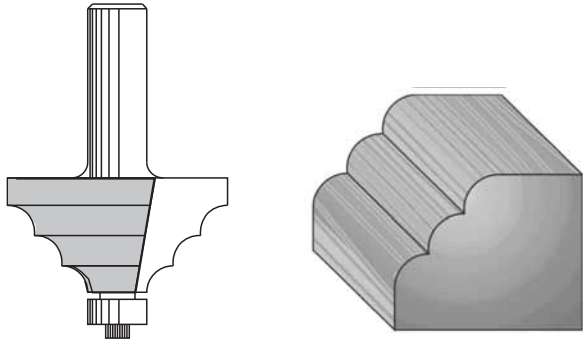
Part Number	Cutting Dia	Cutting Length	Rad 1	Rad 2	Rad 3	Shnk Dia	O.A.L.
LR94064	1-5/8"	1-1/8"	1/4"	3/8"	1/8"	1/2"	3"

Replacement Bearing: LR95004



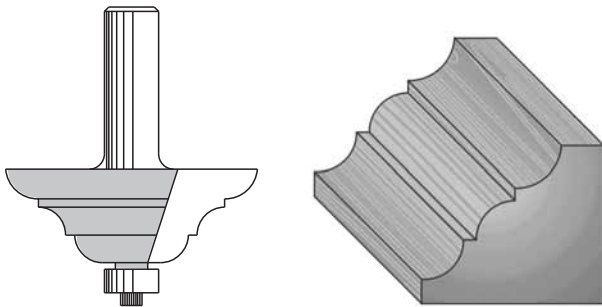
Part Number	Cutting Dia	Cutting Length	Radius	Shank Dia	Overall Length
LR94066	2"	1-7/32"	21/64"	1/2"	3-1/8"

Replacement Bearing: LR95004



Part Number	Cutting Dia	Cutting Length	Cutting Radius	Shank Dia	Overall Length
LR94068	1-7/8"	15/16"	15/64"	1/2"	2-7/8"

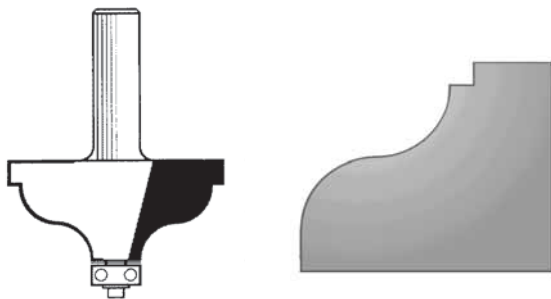
Replacement Bearing: LR95004



Part Number	Cutting Dia	Cutting Length	Shank Dia	Overall Length
LR94076	2-5/16"	7/8"	1/2"	2-3/4"

Multi-Radii

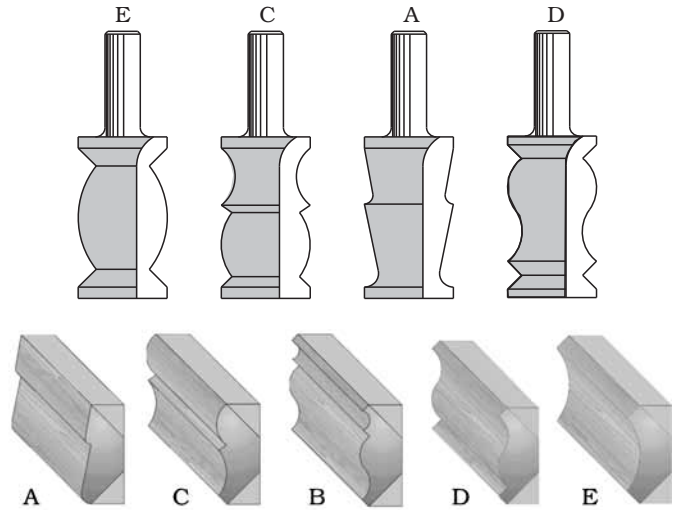
Replacement Bearing: LR95004



Part Number	Cutting Dia	Cutting Length	Shank Dia	Overall Length
LR94077	2-1/4"	1"	1/2"	2-7/8"

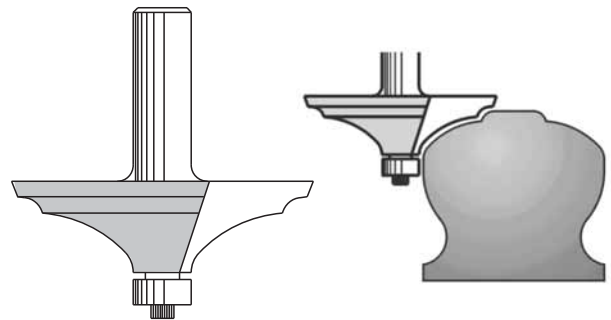
Replacement Bearing: LR95004

Crown Moulding Bits, 2 Flutes



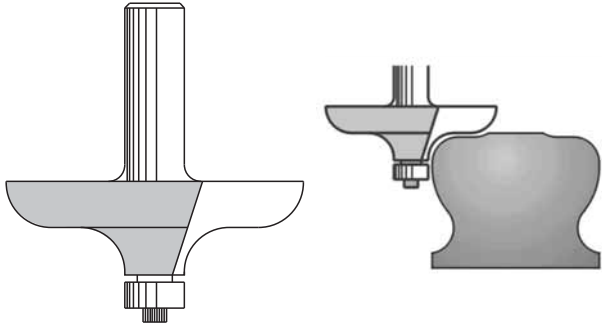
Part Number	Cutting Dia	Cutting Length	Shank Dia	Overall Length
A LR94070	1-1/4"	2-1/4"	1/2"	3-3/4"
B LR94073	1-1/4"	2-1/4"	1/2"	3-3/4"
C LR94074	1-1/4"	2-1/4"	1/2"	3-3/4"
D LR94072	1-1/4"	2-1/4"	1/2"	3-3/4"
E LR94071	1-1/4"	2-1/4"	1/2"	3-3/4"

Handrail Bits, with Bearing, 2 Flutes



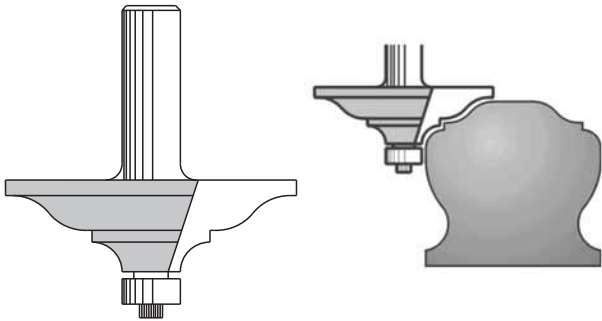
Part Number	Cutting Dia	Cutting Height	Shank Dia	Overall Length
LR85811	2-5/8"	3/4"	1/2"	2-5/8"

Replacement Bearing: LR95004



Part Number	Cutting Dia	Cutting Height	Shank Dia	Overall Length
LR85814	2-1/2"	25/32"	1/2"	2-3/4"

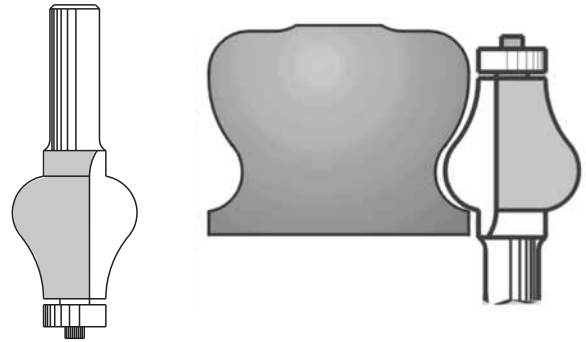
Replacement Bearing: LR95004



Part Number	Cutting Dia	Cutting Height	Shank Dia	Overall Length
LR85816	2-1/2"	25/32"	1/2"	2-3/4"

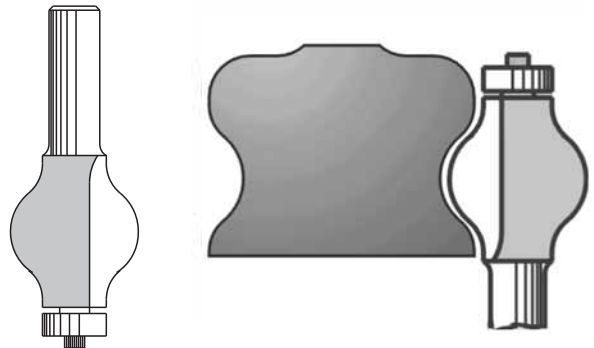
Replacement Bearing: LR95004

Handrail Bits, with Bearing, 2 Flutes



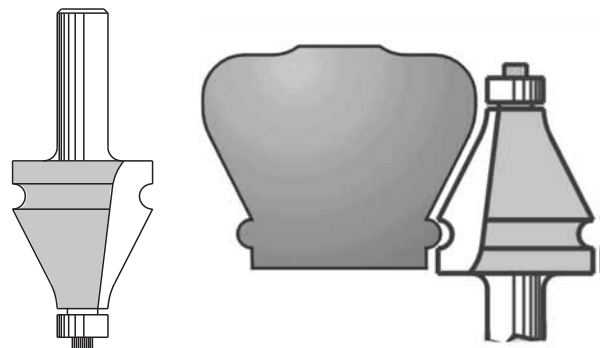
Part Number	Cutting Dia	Cutting Height	Shank Dia	Overall Length
LR85812	1-1/4"	1-1/2"	1/2"	3-3/8"

Replacement Bearing: LR95005B



Part Number	Cutting Dia	Cutting Height	Shank Dia	Overall Length
LR85813	1-1/4"	1-1/2"	1/2"	3-3/8"

Replacement Bearing: LR95005B



Part Number	Cutting Dia	Cutting Height	Cutting Radius	Shank Dia	Overall Length
LR85815	1-3/8"	1-1/2"	1/8"	1/2"	3-3/8"

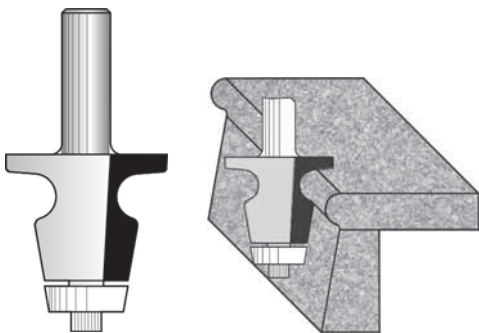
Replacement Bearing: LR95004

Solid Surface Bits

Corian Avonite Fountainhead 2000X

These tools have been specifically engineered for the fabrication of solid surface materials. The soft bearing design and micrograin carbide structure of the cutting edges provide effortless machining with exceptional tool life.

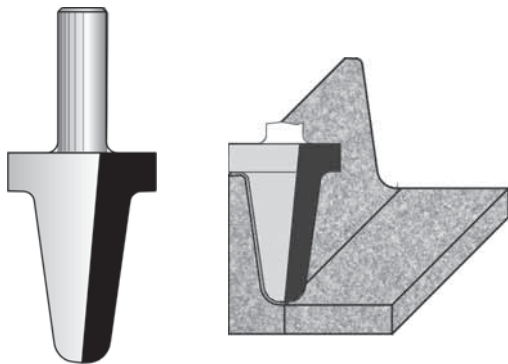
Corian is a registered trademark of DuPont.
 Avonite is a registered trademark of Avonite Corporation.
 Fountainhead is a registered trademark of Nevemar Corporation.
 2000X is a registered trademark of Formica Corporation.



Undermount Profile Bowl Bit, with Bearing, 2 Flutes

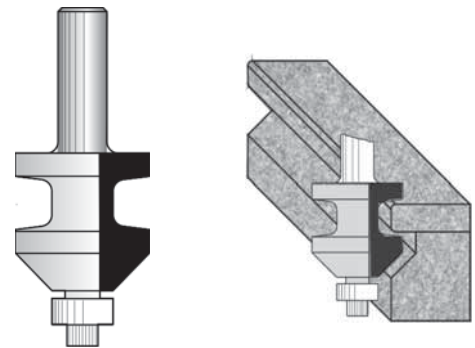
Part Number	Cutting Dia	Cutting Length	Radius	Bevel	Shank Dia	Overall Length
LR91440	1-3/8"	1-5/16"	15/64"	10 Deg	1/2"	3-5/16"

Replacement Bearing: LR95014



Corner Cove Bits, 2 Flutes

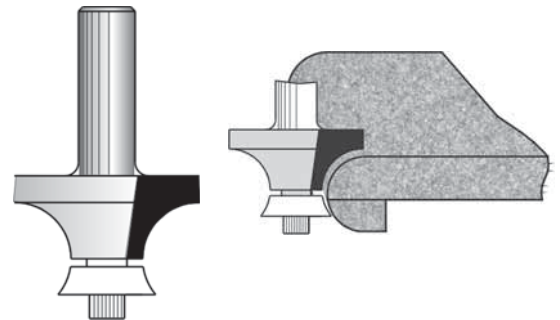
Part Number	Cutting Dia	Cutting Length	Rad 1	Rad 2	Shank Dia	Overall Length
LR91442	1-17/32"	1-37/64"	15/64"	1/8"	1/2"	3-1/16"
LR91444	1-17/32"	2-5/32"	15/64"	1/8"	1/2"	3-11/16"



Bevel Hob Bit, with Bearing, 2 Flutes

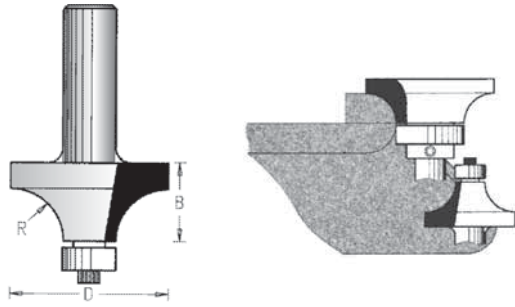
Part Number	Cutting Dia	Cutting Length	Radius	Shank Dia	Overall Length
LR91446	1-3/8"	1-27/64"	1/8"	1/2"	2-7/8"

Replacement Bearing: LR95005



Corner Rounding Bits, with Bearing, 2 Flutes

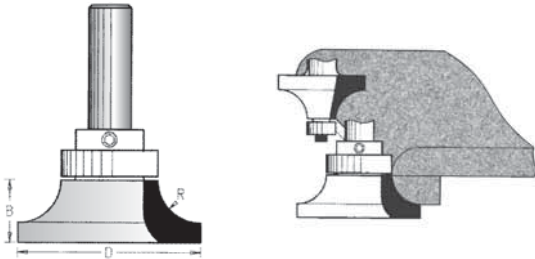
Part Number	Cutting Dia	Cutting Length	Rad	Shank Dia	Overall Length	Bearing
LR91457	1-5/8"	47/64"	1/2"	1/2"	2-1/16"	LR95018
LR91458	2-1/8"	63/64"	3/4"	1/2"	2-29/32"	LR95019
LR91459	2-5/8"	1-15/64"	1"	1/2"	2-1/16"	LR95020



Rounding Over Bits, with Bearing, 2 Flutes

Part Number	Cutting Dia	Cutting Length	Radius	Shank Dia	Overall Length
LR91453	1-1/8"	1/2"	5/16"	1/2"	2-5/16"
LR91454	1-1/4"	5/8"	3/8"	1/2"	2-7/16"
LR91455	1-1/2"	3/4"	1/2"	1/2"	2-9/16"
LR91456	2"	1"	3/4"	1/2"	2-3/4"

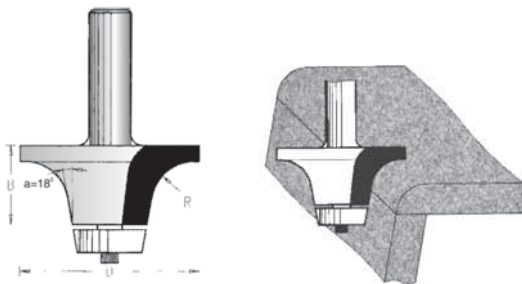
Replacement Bearing: LR95012



Inverted Rounding Over Bits, with Centre Bearing, 2 Flutes

Part Number	Cutting Dia	Cutting Length	Radius	Shank Dia	Overall Length
LR94220	2-1/8"	3/4"	1/2"	1/2"	2-7/8"
LR94222	2-5/8"	1"	3/4"	1/2"	3"

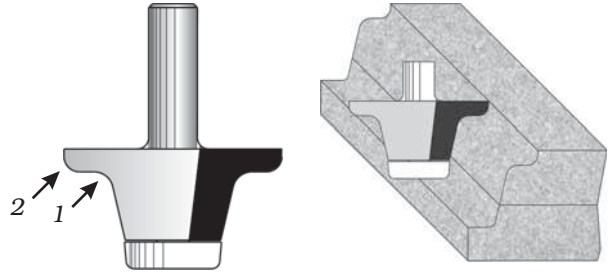
Replacement Bearing: LR9509A



Rounding Over Undermount Bowl Bits, with Bearing, 2 Flutes

Part Number	Cutting Dia	Cutting Length	Radius	Shank Dia	Overall Length
LR91460	2-1/8"	1"	1/2"	1/2"	3-1/16"
LR91462	2-1/4"	1-1/4"	9/16"	1/2"	3-5/16"

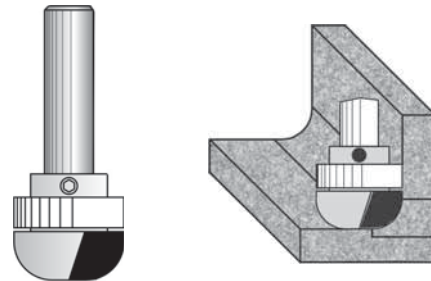
Replacement Bearing: LR95014



Undermount Bowl Bit, with Bearing, 2 Flutes

Part Number	Cutting Dia	Cutting Length	Radius 1	Radius 2	Shank Dia	Overall Length
LR91464	2-1/4"	15/16"	13/64"	5/32"	1/2"	2-51/64"

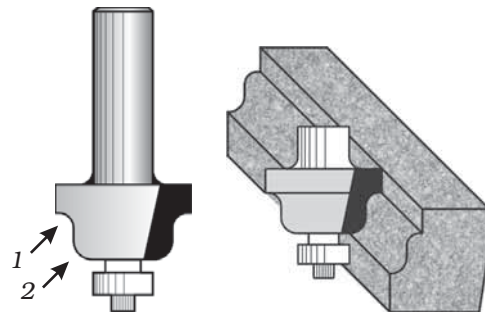
Replacement Bearing: LR95021



Cove Bit, with Centre Bearing, 2 Flutes

Part Number	Cutting Dia	Cutting Length	Radius	Shank Dia	Overall Length
LR91448	1-1/8"	1/2"	25/64"	1/2"	2-7/8"

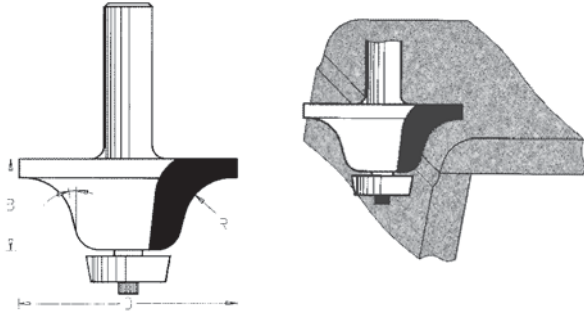
Replacement Bearing: LR95009A



Roman Ogee Bit, with Bearing, 2 Flutes

Part Number	Cutting Dia	Cutting Length	Radius 1	Radius 2	Shank Dia	Overall Length
LR91436	1-1/8"	5/8"	1/8"	5/32"	1/2"	2-9/16"

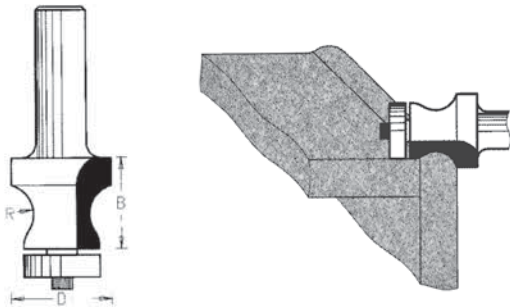
Replacement Bearing: LR95012



Roman Ogee Undermount Bowl Bits, with Bearing, 2 Flutes

Part Number	Cutting Dia	Cutting Length	Radius	Shank Dia	Overall Length
LR91450	2-1/8"	1"	1/2"	1/2"	3"
LR91452	2-3/8"	1-1/4"	9/16"	1/2"	3-3/8"

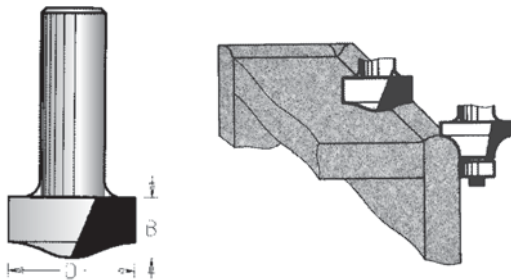
Replacement Bearing: LR95014



Countertop Bits, with Bearing, 2 Flutes

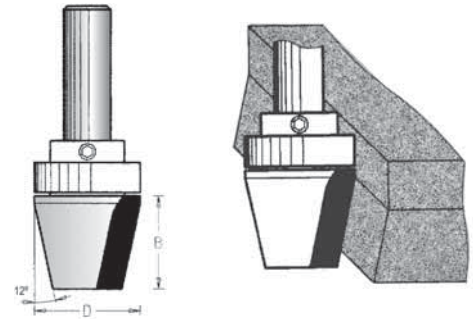
Part Number	Cutting Dia	Cutting Length	Radius	Shank Dia	Overall Length
LR91482	1"	7/8"	5/16"	1/2"	2-7/8"
LR91484	1"	1-1/8"	5/16"	1/2"	3-1/16"

Replacement Bearing: LR95013



Corner Top Bit No Drip, 2 Flutes

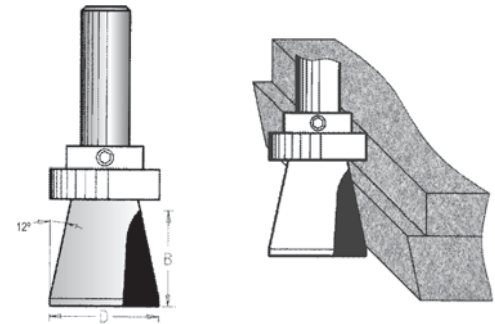
Part Number	Cutting Dia	Cutting Length	Shank Dia	Overall Length
LR91438	1"	1/2"	1/2"	2-1/8"



Topmounted Bowl & Countertop Bits, with Centre Bearing, 2 Flutes

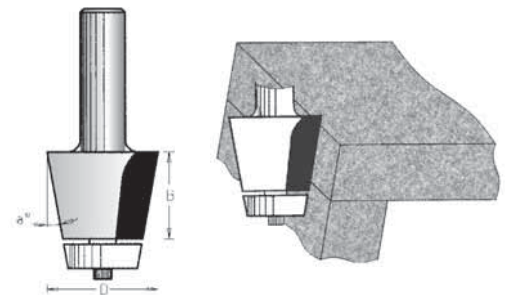
Part Number	Cutting Dia	Cutting Length	Shank Dia	Overall Length
LR94224	1-1/8"	1/2"	1/2"	3-1/8"

Replacement Bearing: LR95009



Part Number	Cutting Dia	Cutting Length	Shank Dia	Overall Length
LR94206	1-1/8"	1/2"	1/2"	3-1/8"

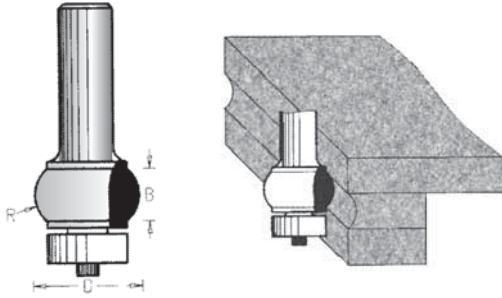
Replacement Bearing: LR95009



Bevel Undermount Bowl Bit, with Bearing, 2 Flutes

Part Number	Cutting Dia	Cutting Length	Bevel	Shank Dia	Overall Length
LR91470	1-1/4"	1"	12 Degree	1/2"	3-3/16"

Replacement Bearing: LR95014

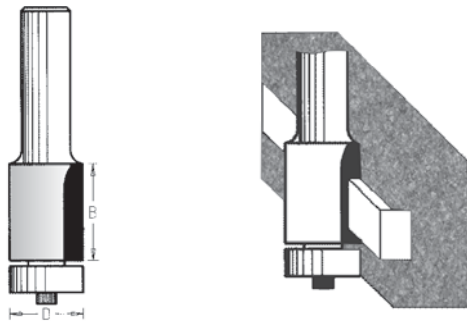


Edge Cove Bit, with Bearing, 2 Flutes

Part Number	Cutting Dia	Cutting Length	Radius	Shank Dia	Overall Length
LR91432	1"	5/8"	5/16"	1/2"	2-5/8"

Replacement Bearing: LR95013

Inlay Trimming Bits, with Bearing, 2 Flutes

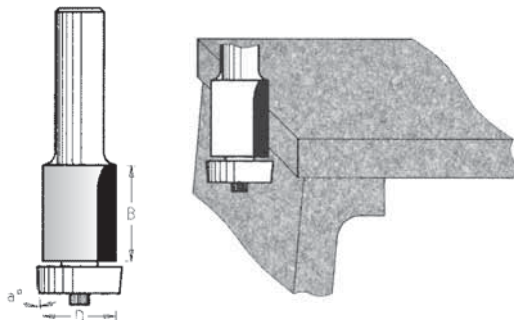


Part Number	Cutting Dia	Cutting Length	Shank Dia	Overall Length
-------------	-------------	----------------	-----------	----------------

Flush Trim, 0 Degrees

LR91477B	3/4"	1"	1/2"	3"
----------	------	----	------	----

Replacement Bearing: LR95013

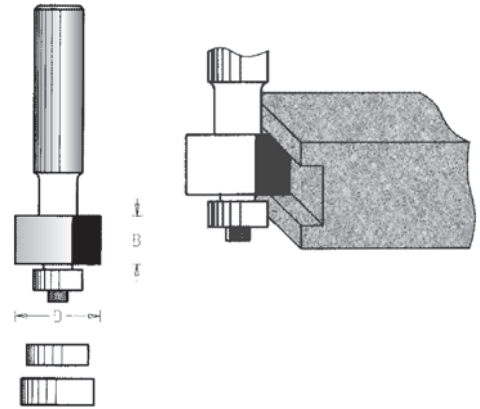


Part Number	Cutting Dia	Cutting Length	Shank Dia	Overall Length
-------------	-------------	----------------	-----------	----------------

Over-Hang 1/16", 5 Degree rough-out

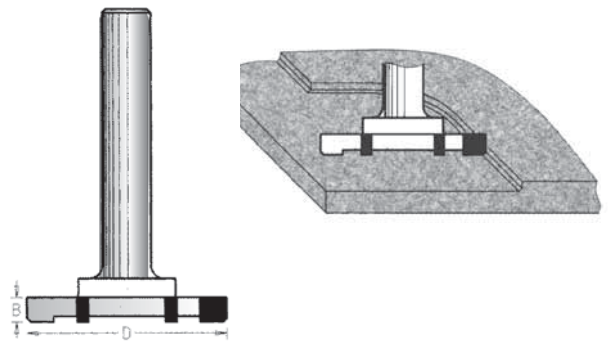
LR91476A	3/4"	1"	1/2"	3"
----------	------	----	------	----

Replacement Bearing: LR95014A



Face Inlay Bits, with Bearing, 2 Flutes

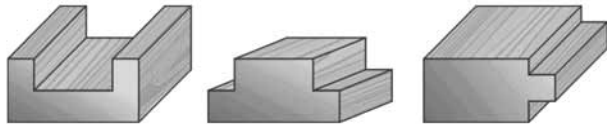
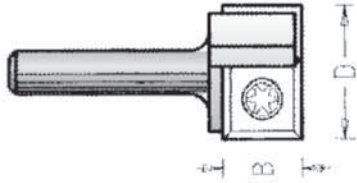
Part Number	Cutting Dia	Cutting Length	Depth of Cut	Shank Dia	Overall Length	Bearing
LR91250	7/8"	1/4"	1/16"	1/2"	3-1/16"	LR95006
LR91252	7/8"	1/4"	1/8"	1/2"	3"	LR95005
LR91254	7/8"	1/4"	3/16"	1/2"	3"	LR95004A
LR91256	7/8"	1/2"	1/16"	1/2"	3-1/4"	LR95006
LR91258	7/8"	1/2"	1/8"	1/2"	3-1/4"	LR95005
LR91260	7/8"	1/2"	3/16"	1/2"	3-1/4"	LR95004A
LR91262	7/8"	3/4"	1/16"	1/2"	3-7/16"	LR95006
LR91264	7/8"	3/4"	1/8"	1/2"	3-1/2"	LR95005
LR91266	7/8"	3/4"	3/16"	1/2"	3-1/2"	LR95004A



Bowl & Countertop Trim Bit, 2 Flutes

Part Number	Cutting Dia	Cutting Length	Shank Dia	Overall Length
LR94214	2-1/16"	1/4"	1/2"	3-5/16"

Turnover Knife Router Bits

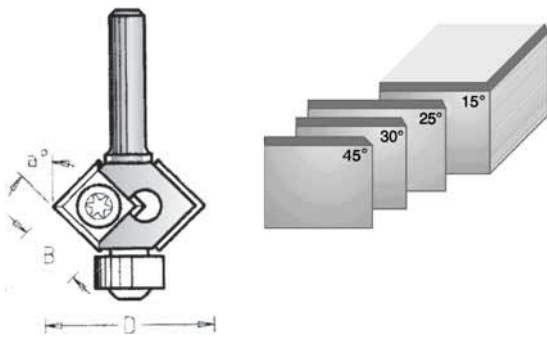


Straight Trim Bits, No Plunge, 2 Flutes

Part Number	Cutting Dia	Cutting Length	Shank Dia	Overall Length
TK96120	18mm	12mm	1/4"	1-3/4"
TK96121	20mm	12mm	1/4"	1-3/4"
TK96122	22mm	12mm	1/4"	1-3/4"
TK96123	3/4"	12mm	1/4"	1-3/4"
TK96124	7/8"	12mm	1/4"	1-3/4"

Replacement Parts:

Knife: 591-1212 (12x12x1.5)
 Screw: 580.RH-M4067.7
 Key: 582-T15F

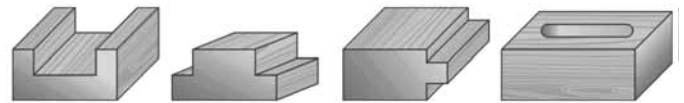
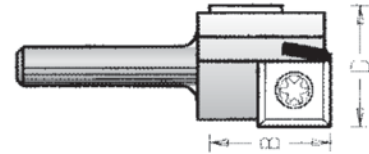


Bevel Trim Bits, with Plunge, 2 Flutes

Part Number	Cutting Dia	Cutting Length	Bevel	Shank Dia	Overall Length
TK96105	20mm	12mm	15 Degree	1/4"	2-1/8"
TK96108	24mm	12mm	25 Degree	1/4"	2-1/8"
TK96110	26mm	12mm	30 Degree	1/4"	2-1/8"
TK96115	27mm	12mm	45 Degree	1/4"	2-1/4"

Replacement Parts:

Knife: 591-1212 (12x12x1.5)
 Bearing: LR95005
 Bearing: LR95004A (for TK96115 only)
 Screw: 580.RH-M4067.7
 Key: 582-T15F

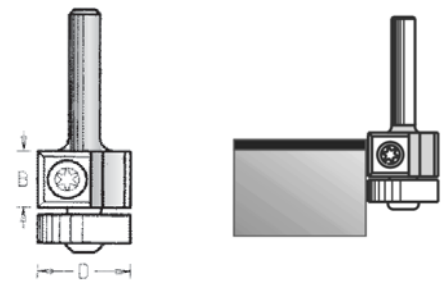


Staggered Trim Bits, with Plunge, 2 Flutes

Part Number	Cutting Dia	Cutting Length	Shank Dia	Overall Length
TK96130	18mm	20mm	1/4"	2"
TK96131	18mm	20mm	1/2"	2-3/8"
TK96132	20mm	20mm	1/4"	2"
TK96133	22mm	20mm	1/4"	2"
TK96134	22mm	20mm	1/2"	2-3/8"
TK96135	3/4"	3/4"	1/4"	2"
TK96136	3/4"	3/4"	1/2"	2-3/8"
TK96137	7/8"	3/4"	1/4"	2"
TK96138	7/8"	3/4"	1/2"	2-3/8"

Replacement Parts:

Knife: 591-1212 (12x12x1.5)
 Screw: 580.RH-M4067.7
 Key: 582-T15F



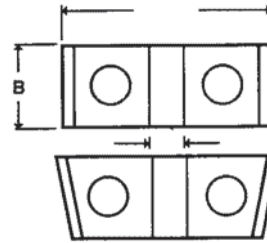
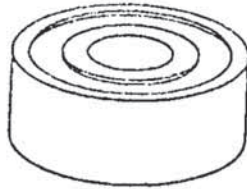
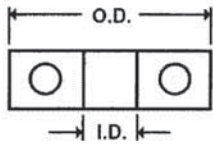
Bevel Trim Bits, with Plunge, 2 Flutes

Part Number	Cutting Dia	Cutting Length	Shank Dia	Overall Length	Spare Knives
TK96100	19mm (3/4")	12mm	1/4"	2"	591-1212
TK96101	19mm (3/4")	30mm	1/4"	2-3/4"	590-0300
TK96102	19mm (3/4")	30mm	1/2"	3"	590-0300

Replacement Parts:

Bearing: LR95006B
 Screw: 580.RH-M4067.7
 Key: 582-T15F

Accessories & Replacement Parts



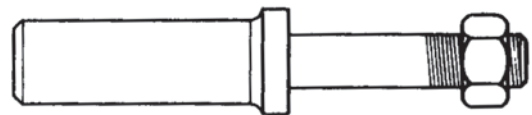
Ball Bearings

Part Number	Outside Dia	Inside Dia	Thickness
LR95001	1/4"	1/8"	7/64"
LR95002	3/8"	1/8"	5/32"
LR95000	3/8"	3/16"	1/8"
LR95004	1/2"	3/16"	5mm
LR95004A	1/2"	1/4"	3/16"
LR95004B	.488"	3/16"	5mm
LR95003	1/2"	1/8"	11/64"
LR95005E	14mm	8mm	4mm
LR95005C	14mm	7mm	5mm
LR95005	5/8"	1/4"	5mm
LR95005A	5/8"	3/16"	5mm
LR95005D	16mm	8mm	5mm
LR95005B	16mm	5mm	5mm
LR95006	3/4"	1/4"	9/32"
LR95006A	3/4"	3/16"	3/16"
LR95006C	3/4"	1/2"	5/32"
LR95006B	19mm	6mm	6mm
LR95008	7/8" (22mm)	5/16" (8mm)	7mm
LR95008D	7/8"	3/16"	6.6mm
LR95008F	22mm	7mm	7mm
LR95008A	26mm	10mm	8mm
LR95008E	1"	15mm	5.5mm
LR95009	1-1/8"	1/2"	5/16"
LR95009B	1-1/8"	3/16"	6.6mm
LR95010	28mm	5/16" (8mm)	9mm
LR95010A	1-7/32"	5/16" (8mm)	8.6mm
LR95017	1-1/4"	15mm	8.5mm
LR95017A	1-1/4"	8mm	5mm
LR95010C	1-5/16" (33.5mm)	5/16" (8mm)	8.6mm
LR95010B	1-3/8"	3/16"	6.6mm
LR95011	35mm	15mm	11mm
LR95008B	1-1/2"	15mm	8.5mm
LR95008C	2"	15mm	12.5mm

Ball Bearings Guide Assemblies

Ball Bearings with Teflon sleeves for routing solid surface materials such as Corian.

Part Number	Outside Dia	Inside Dia	Taper
LR95012	1/2"	3/16"	0
LR95013	3/4"	1/4"	0
LR95014	7/8"	1/4"	10 Degrees
LR95014A	7/8"	1/4"	5 Degrees
LR95018	21.4mm	1/4"	1/2" Radius
LR95019	19.4mm	1/4"	3/4" Radius
LR95020	18.5mm	1/4"	1" Radius
LR95021	25mm	1/4"	5 Degrees
LR95022	27mm	1/4"	0
LR95023	28mm	5/16" (8mm)	0
LR95009A	1-1/8"	15mm	0
LR95025	29mm	5/16" (8mm)	0
LR95026	34mm	5/16" (8mm)	0
LR95027	40.8mm	5/16" (8mm)	0
LR95016	43mm	5/16" (8mm)	0



Arbors (Includes Nut & 2 Spacers)

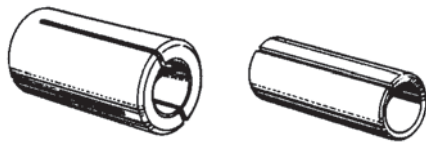
Part Number	Spindle Dia	Spindle Length	Shank Dia	Overall Length
LR95100	5/16"	7/8"	1/4"	2-3/8"
LR95102	5/16"	1-7/16"	3/8"	3"
LR95104	5/16"	1"	1/2"	2-3/8"
LR95103	5/16"	1-5/16"	1/4"	2-5/8"
LR95105	5/16"	1-3/8"	1/2"	3"
LR95105A	5/16"	2-1/8"	1/2"	3-3/4"
LR95105B	5/16"	1-1/2"	1/2"	3-1/8"
LR95105C	5/16"	2-5/8"	1/2"	4-1/4"
LR95105D	5/16"	1-3/4"	1/2"	3-5/16"
LR95110*			1/2"	2"

*for CNC Routers



Arbors (for Mortise Bits)

Part Number	Thread Size	Shank Dia	Overall Length
LR95106	1/4-28 Thread	1/4"	2"
LR95107	5/16-24 Thread	1/4"	2"
LR95108	1/4-28 Thread	1/2"	2"
LR95109	5/16-24 Thread	1/2"	2"



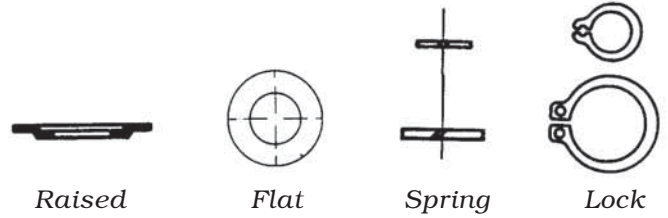
Shank Adapters

Part Number	Outside Dia	Inside Dia	Overall Length
Fibre Adapters			
ON3301	1/4"	1/8"	1"
ON3302	1/4"	3/16"	1"
ON3303	1/2"	1/4"	1"
ON3304	1/2"	5/16"	1-1/4"
ON3305	1/2"	3/8"	1-1/2"
Steel Adapters			
ON3400	3/8"	1/4"	1"
ON3405A	1/2"	3/8"	1"
ON3403	1/2"	1/4"	1-1/4"



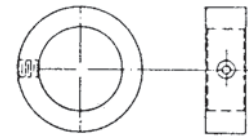
Spacers

Part Number	Outside Dia	Inside Dia	Thickness
LR95300	5/8"	5/16"	.05mm
LR95301	12mm	8mm	0.1mm
LR95302	5/8"	5/16"	0.1mm
LR95303	12mm	8mm	0.2mm
LR95304	5/8"	5/16"	0.5mm
LR95305	12mm	8mm	0.5mm
LR95306	5/8"	5/16"	1.0mm
LR95307	5/8"	5/16"	3.0mm
LR95308	16mm	5/16"	3.4mm
LR95310	1/2"	1/4"	5.0mm
LR95311	5/8"	5/16"	5.5mm
LR95309	5/8"	5/16"	6.0mm



Washers

Part Number	Outside Dia	Inside Dia	Thickness
Raised			
LR95200	3/8"	1/8"	1.3mm
LR95202	1/2"	3/16"	1.3mm
LR95204	16mm	5mm	0.8mm
Flat			
LR95206	5/16"	3/16"	1.2mm
LR95207	12mm	8mm	1.0mm
LR95208	3/8"	1/4"	1.4mm
Spring			
LR95250	3/16"	7/64"	1/64"
LR95252	1/4"	1/8"	1/64"
LR95255	3/8"	3/16"	1.0mm
Lock			
LR95256		3/8"	0.8mm
LR95257		1/2"	1.0mm



Lock Rings

Part Number	Outside Dia	Inside Dia
LR95275	11mm	1/4"
LR95276	16mm	3/8"
LR95277	21mm	1/2"
LR95278	18mm	1/2"



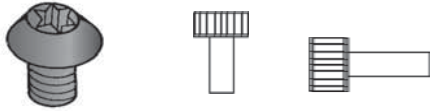
Nuts

Part Number	Size
LR95400	NF5/16



Allen Keys

Part Number	Size
582-KEY-M1.3	1.3mm
582-KEY-M1.5	1.5mm
582-KEY-M2.0	2.0mm
582-KEY-M2.5	2.5mm
582-KEY-M3.0	3.0mm
582-KEY-M4.0	4.0mm
582-KEY-M5.0	5.0mm
582-KEY-1/8"	1/8"
582-KEY-3/16"	3/16"
582-KEY-3/32"	3/32"

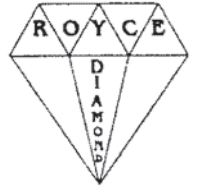


Screws

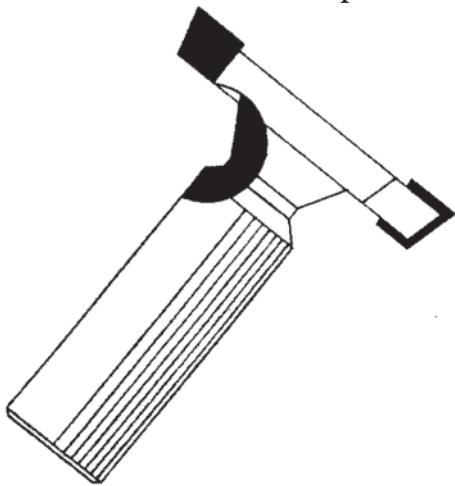
Part Number	Type	Size	Thread Length
580.HC-#01	2/56	.082"	1/4"
580.HC-#02	3/48	.099"	1/4"
580.HC-#03	3/48	.099"	3/8"
580.HC-#04	3/48	.099"	1/2"
580.HC-#05	5/40	.125"(1/8")	1/4"
580.HC-#06	5/40	.125"(1/8")	3/8"
580.HC-#07	5/40	.125"(1/8")	1/2"
580.HC-#08	10/32	.187"(3/16")	1/4"
580.HC-#09	10/32	.187"(3/16")	1/2"
580.HC-#10	6/40	.135"	1/4"

PCD

Polycrystalline Diamond



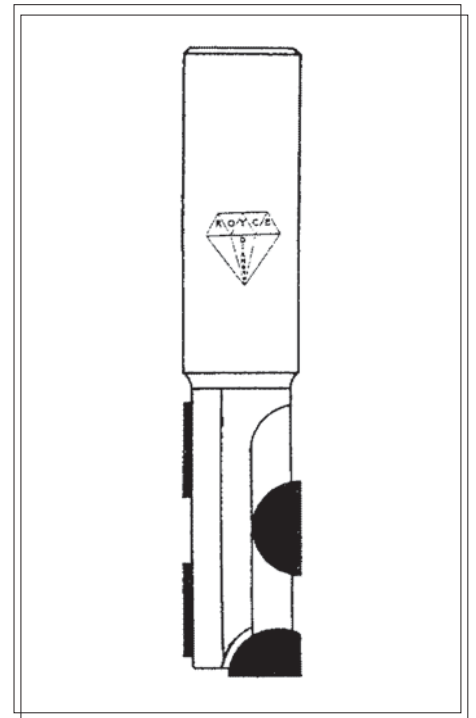
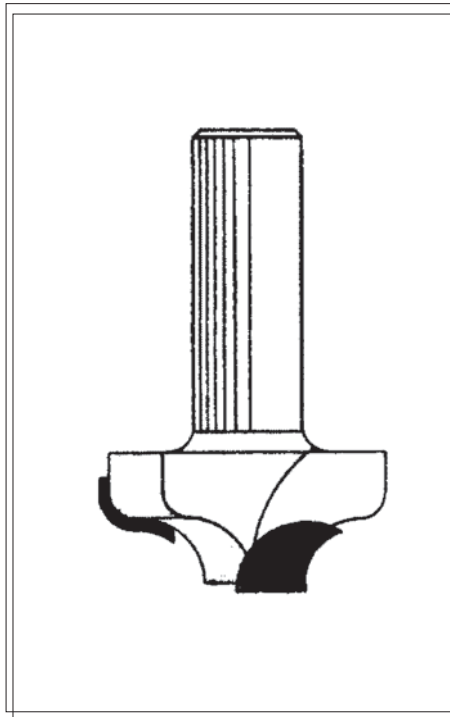
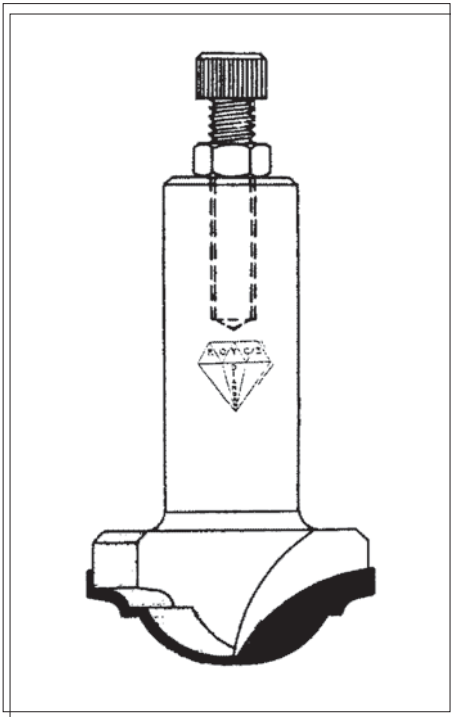
Polycrystalline diamonds produced through technologically advanced techniques of high-pressure and high-temperature, are the hardest man-made material known. When used in place of tungsten carbide tips in routers and other wood cutters, polycrystalline diamonds allow higher material removal rates while retaining sharp cutting edges for extended time and use periods. Royce diamond tools last up to 300 times longer than conventional carbide bits thus providing an economical solution to the problems of producing high-volume output on woods as well as on very abrasive materials and laminates.



Diamond tools for the woodworking industry -higher efficiency, greater economy, faster and cleaner cutting!

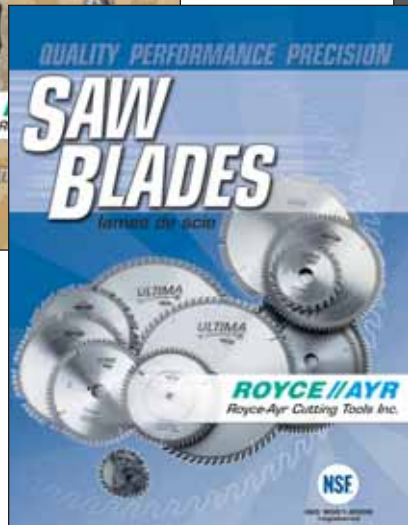
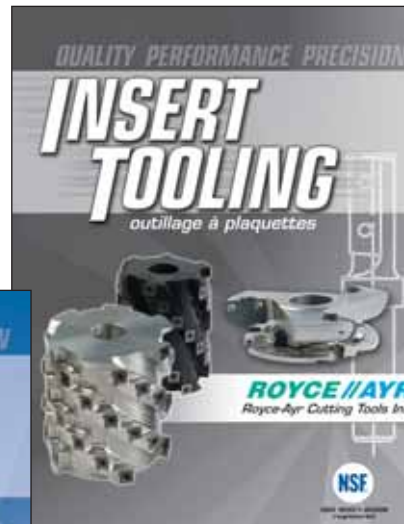
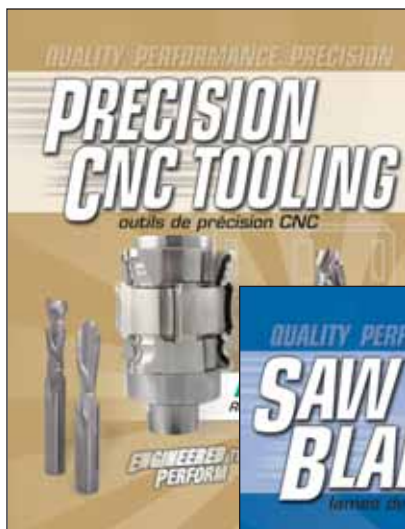
Shank type router bits and form cutters

... for routing of all woods - hard and soft - as well as highly abrasive plastics, laminates, fiberglass, plywood, chipboard, MDF and HDF.



All tools offered from stock are subject to availability. The buyer agrees to partial deliveries which will be considered separate transactions. Cancellation or alteration of orders are subject to our written consent. Returns will only be accepted upon written prior approval and the assignment of an authorized return number. Custom tools made to special order are not returnable.

Delivery lead time is based on production scheduling and material availability, and starts from date of order confirmation. Every effort will be made to fulfill delivery commitments. Any delay, for any reason, will not be liability for any loss or damage.



GUARANTEE

All our tools are manufactured according to specifications described in this catalogue. Tools suspected to be defective and returned for inspection are to be shipped prepaid. We will only replace tools which prove, upon our examination, to have material and/or manufacturing defects. Tools that have been misused or carelessly handled are not guaranteed. We do not accept any responsibility or liability for mistakes caused by improper application, handling, or inappropriate sharpening. We reserve the right to change specifications from those published in this catalogue as part of our continual product improvement process.

**Canada's leading manufacturer
and supplier of quality stock
and custom designed tools for
the woodworking, plastics and
non ferrous metal industries.**

Products Include:

- Carbide Tipped Saw Blades
- Industrial Router Bits
- Custom Profile Cutters
- Diamond Tipped Tooling
- Sticker and Moulder Heads
- Insert Tooling
- Disposable Knives
- Boring Bits and Drills
- HSS and C/T Knife Stock
- Sharpening Service
- HSS Metal Cutting Saw Blades

*For a complete line of catalogs and competi-
tive prices, call our toll free phone number
or contact your local Royce-Ayr distributor.*



ROYCE//AYR
Royce-Ayr Cutting Tools Inc.

405 Sheldon Drive
Cambridge, ON Canada N1T 2B7
voice (519) 623.0580
(800) 959.5641
fax (519) 623.9371
www.royceayr.com
email: customer.service@royceayr.com

Edition: RB 2012